

TECHNICAL DATA SHEET

Matrix Square Wall Hung Basin 40x22cm RH - DCI4010

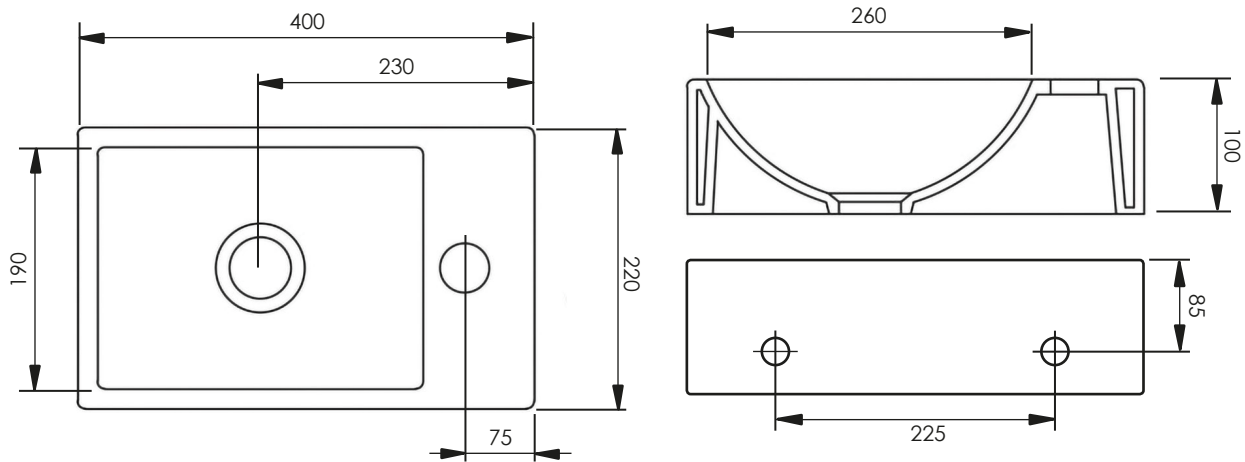
TAVISTOCK

| NO. | Description | Product Code | Fixings included | Gross Weight |
|-----|--|--------------|------------------|--------------|
| I | Matrix Square Wall Hung Basin 40x22cm RH | DCI4010 | NO | 8KG |



DIMENSIONS

DIAGRAMS NOT TO SCALE | ALL DIMENSIONS IN MM TOLERANCE OF ± 5 mm
ALL PRODUCTS CONFORM TO BRITISH STANDARDS



*Dimensions are subject to change, customers are advised to measure actual product before commencing installation.

**Fixing point dimensions are for guidance only. The positions of fixings must be checked when product is received.

FAQs

Q - What is the maximum water depth of the basin?

A - 48mm up to the overflow.

Q - Can this basin be wall hung?

A - Yes, suitable fixings must be purchased to suit installation wall type.

Q - Does the basin have an integral overflow?

A - Yes