

TECHNICAL DATA SHEET

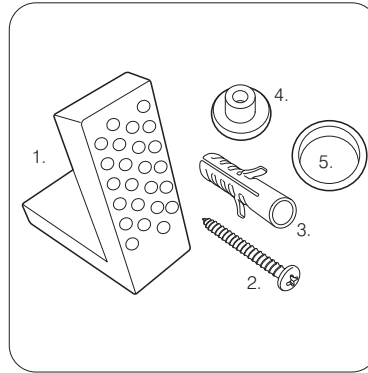
Paradigm Back To Wall WC Pan - PBWPAN

ROPER RHODES®

NO.	Description	Product Code	Fixings included	Gross Weight
1	Soft Close Toilet Seat	PASCTS	YES	2KG
2	Back to Wall WC	PBWPAN	YES	25KG



Floor Fixings

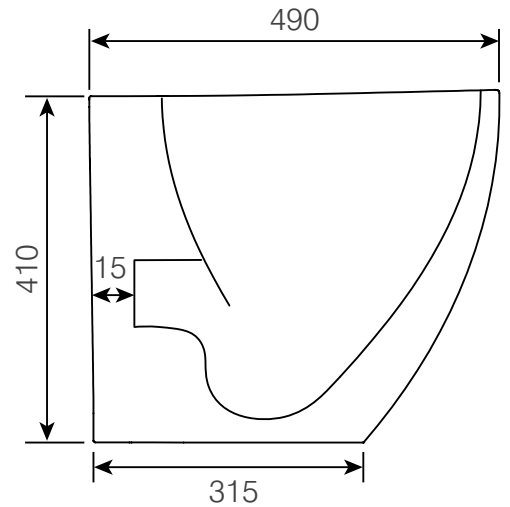
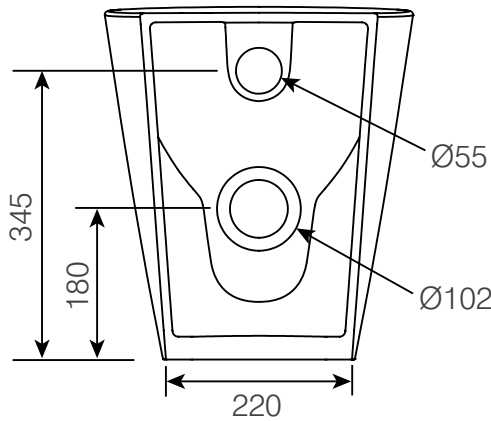
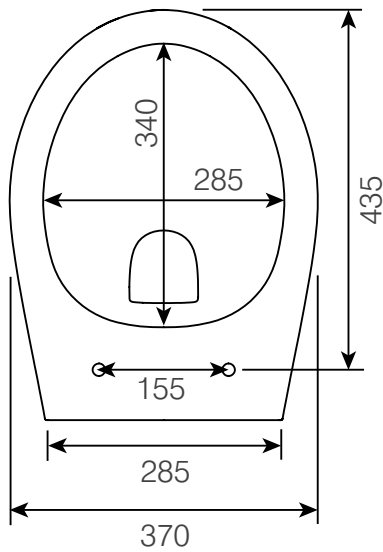


- 1. 2x Nylon Floor Bracket
- 2. 4x Stainless Steel Screws
- 3. 2x Nylon Screw Plugs
- 4. 2x Nylon Screw Collars
- 5. 2x Nylon Collar Caps (Metalic Finish)

Spare Code: SP14211

DIMENSIONS

DIAGRAMS NOT TO SCALE | ALL DIMENSIONS IN MM TOLERANCE OF ± 5MM
ALL PRODUCTS CONFORM TO BRITISH STANDARDS



*Dimensions are subject to change, customers are advised to measure actual product before commencing installation.
**Fixing point dimensions are for guidance only. The positions of fixings must be checked when product is received.

FAQs

Q - Are there any other compatible seats?
A - Yes, the Neutron seat (8901WSC-SF) also fits this pan.

Q - Which concealed cistern do I use?
A - Torrent (TR9001) or Cascade (TR9002), depending on whether the water feed is bottom or side access. An In-Wall cistern (TR9009) is available for tiled-in installations.

Key Dimensions Descriptions	Key Dimensions (mm)
Front to Back Footprint	315mm
Left to Right Footprint	220mm
Bowl Front to Back	340mm
Bowl Left to Right	285mm
Pan Height	410mm
Pan Overall front to Back	490mm
Centre Flush Inlet to Floor	345mm
Centre Waste Outlet to Floor	180mm
Width of Void	180mm
Is there a Ceramic Brace Bar	No
Distance from Spigot to back of Pan	15mm