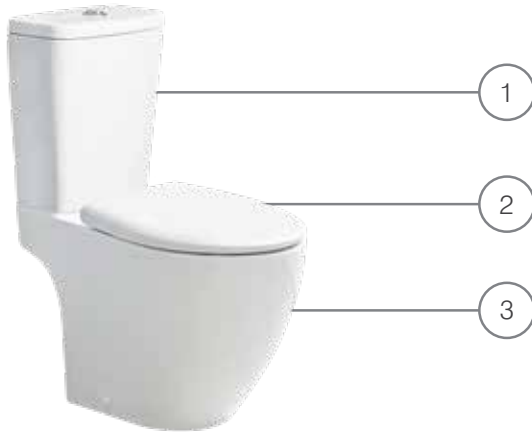


TECHNICAL DATA SHEET

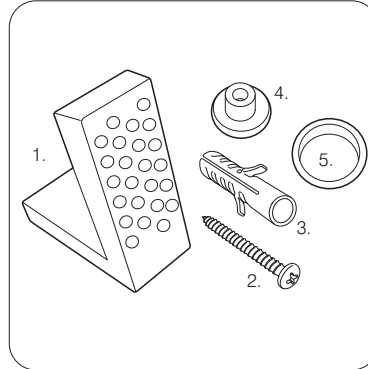
Paradigm CC Open Back WC Pan - PCCPAN2

ROPER RHODES®

NO.	Description	Product Code	Fixings included	Gross Weight
1	CC Cistern	PCCTNK	YES	13KG
2	Soft Close Toilet Seat	PASCTS	YES	2KG
3	Open Back CC WC	PCCPAN2	YES	30KG



Floor Fixings



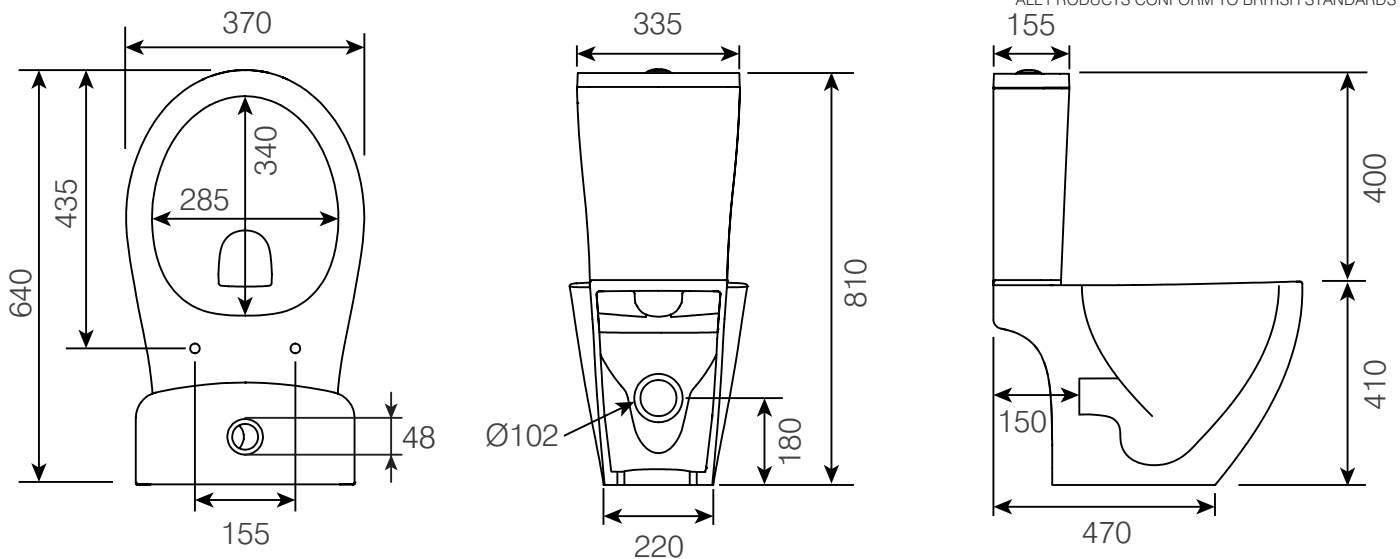
- 1. 2x Nylon Floor Bracket
- 2. 4x Stainless Steel Screws
- 3. 2x Nylon Screw Plugs
- 4. 2x Nylon Screw Collars
- 5. 2x Nylon Collar Caps (Metalic Finish)

Spare Code: SP14211

DIMENSIONS

DIAGRAMS NOT TO SCALE | ALL DIMENSIONS IN MM TOLERANCE OF ± 5MM

ALL PRODUCTS CONFORM TO BRITISH STANDARDS



*Dimensions are subject to change, customers are advised to measure actual product before commencing installation.
**Fixing point dimensions are for guidance only. The positions of fixings must be checked when product is received.

FAQs

- Q - Where is the inlet valve?
A - Bottom Inlet, Back right of the pan
- Q - What is the inlet hole diameter?
A - 24mm, inlet valve uses 1/2" BSP
- Q - What is the flush volume?
A - 5/3L
- Q - Are there any other compatible seats?
A - Yes, Neutron (8901WSC-SF)
- Q - Rim type?
A - Rimless
- Q - Does the cistern come with an air gap conforming inlet valve?
A - Yes
- Q - Can this WC be used with a side connection outlet?
A - Yes

Key Dimensions Descriptions	Key Dimensions (mm)
Front to Back Footprint	340mm/470mm from wall
Left to Right Footprint	219mm
Bowl Front to Back	340mm
Bowl Left to Right	285mm
Pan Height (+cistern)	410mm(810mm)
Pan Overall front to Back	635mm
Centre Waste Outlet to Floor	180mm
Width of Void	180mm
Is there a Ceramic Brace Bar	No
Distance from Spigot to back of Pan	150mm
Cistern fixing holes centres & diameter	130mm centres, 15mm d
Cistern outlet diameter	65mm