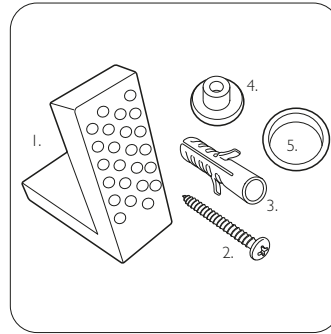
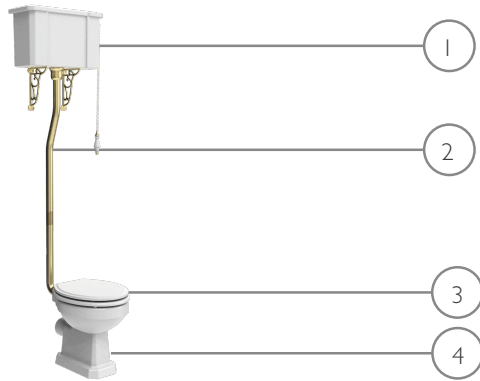


TECHNICAL DATA SHEET

Vitoria High Level Open Back WC

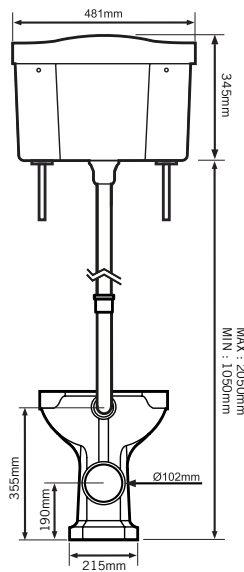
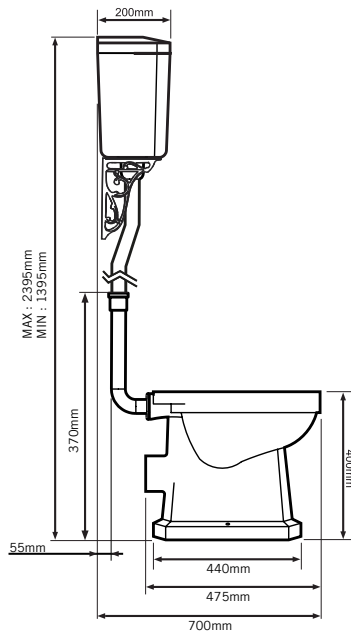
TAVISTOCK

| NO. | Description | Product Code | Fixings included | Gross Weight |
|-----|-------------------------------------|--------------|------------------|--------------|
| 1 | High Level Cistern | CH850S | YES | 16.5KG |
| 2 | High Level Pipe Kit | HLK850SBR5 | YES | 10KG |
| 3 | Soft Close Wood Toilet Seat - White | TS850WSCB-SF | YES | 3.6KG |
| 4 | High Level Open Back WC | PL850S | YES | 15.5KG |

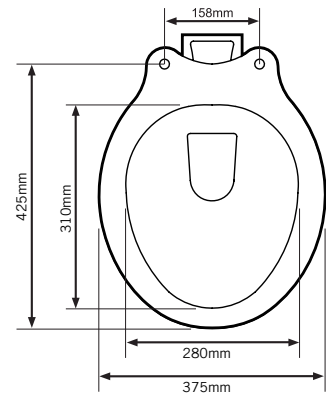


Floor Fixings Spare Code: SP1421 I

DIMENSIONS



DIAGRAMS NOT TO SCALE | ALL DIMENSIONS IN MM TOLERANCE OF ± 5MM
ALL PRODUCTS CONFORM TO BRITISH STANDARDS



*Dimensions are subject to change, customers are advised to measure actual product before commencing installation.

**Fixing point dimensions are for guidance only. The positions of fixings must be checked when product is received.

FAQs

Q - Where is the inlet valve?
A - The inlet is on the side of the cistern. It can be put on the left or right, a blanking plug is provided to close the unused hole for the inlet.

Q - What is the flush volume?
A - 6L

Q - Can this pan be used with a side connection outlet pipe?
A - Yes

Q - Are there any other compatible seats?
A - Yes, Tavistock painted moulded wood seats.

Q - Can the pull chain be installed on the left
A - No, the pull chain must sit to the right of the cistern

Q - What finish is the ceramic glaze?
A - Alpine White

Q - What finish is the flush pipe kit?
A - Brushed Brass with white ceramic handle

| Key Dimensions Descriptions | Key Dimensions (mm) |
|------------------------------|---------------------|
| Front to Back Footprint | 440mm |
| Left to Right Footprint | 215mm |
| Bowl Front to Back | 310mm |
| Bowl Left to Right | 280mm |
| Pan Height (+Cistern) | 400mm (Ref Drawing) |
| Pan Overall Front to Back | 475mm |
| Centre Waste Outlet to Floor | 190mm |

TECHNICAL DATA SHEET

Vitoria High Level Open Back WC

TAVISTOCK

Product Components

