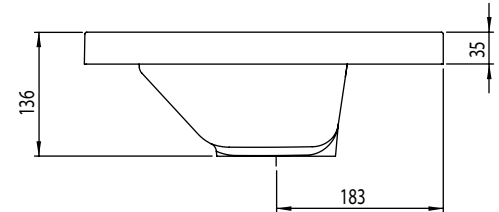
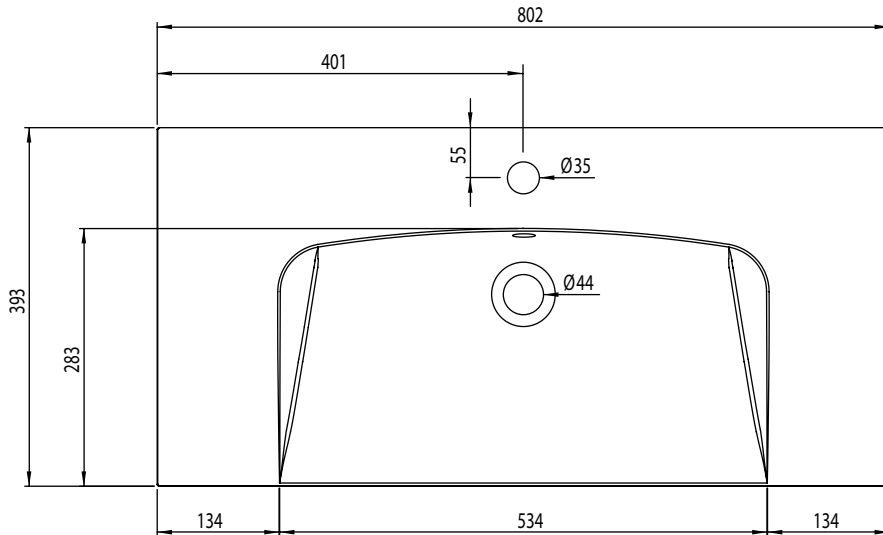


# Technical Data Sheet

# ROPER RHODES®

## SCHEME 800mm Isocast Basin

Whats in the box: 1x SCH800IS + Overflow Kit



Diagrams not to scale  
All dimensions in mm  
tolerance of +5mm

\*\*Dimensions are subject to change, customers are advised to measure actual product before commencing installation.

### Materials

Basin: Isocast (Gloss Finish)

Has many names including:

- Gelcoat
- Cultured marble
- Cast mineral marble
- Synthetic marble

Base material is 70% natural (aggregate dolomite rock - calcareous magnesium carbonate). A misconception is that this material is completely manmade. The other 30% is a mixture of various polyester resins. 1.5 - 2.0mm Top coating of "gelcoat" which is the proprietary name for the polyester resin used to seal all top faces of the basin / worktop. Tolerance of +3/-0mm. Ceramic is more typically +5/-5mm. Fully tested against multiple stains which can either be removed with standard cleaners (autosol for example) or the specialist clean and shine repair kits.

### FAQs

Q: What is the maximum water depth of the basin?

A: 68mm up to the overflow.

Q: What is the internal depth?

A: The internal depth is 115mm.

Q: Whats is the depth of the Tapledge?

A: The Tapledge is 113mm deep.

Q: What's the distance from the Taphole centre to the Basin Waste?

A: 128mm.

Q: Are there marks for taphole options?

A: No, taphole is pre-drilled