

# TECHNICAL DATA SHEET

## Crescent Thermoset Toilet Seat - 9001WS

**ROPER RHODES®**  
TRADE SOLUTIONS

NO.	Description	Product Code	Fixings included	Gross Weight	Seat Weight
1	Crescent Thermoset Toilet Seat	9001WS	YES	2.1kg	1.7kg



### Spares Codes

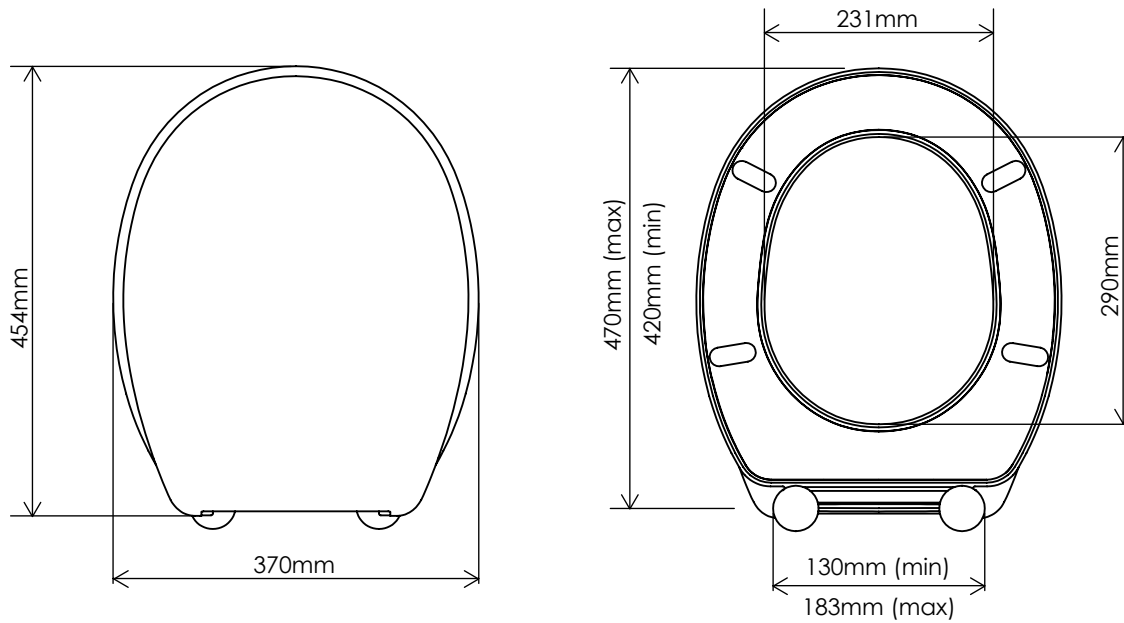
Swivel Hinge Fixing Kit - SP13537

Ring Buffer - SP13549

Lid Buffer - SP13550

### DIMENSIONS

DIAGRAMS NOT TO SCALE | ALL DIMENSIONS IN MM | TOLERANCE OF ± 5MM  
ALL PRODUCTS CONFORM TO THE BRITISH FIXING STANDARDS



\*Dimensions are subject to change, customers are advised to measure actual product before commencing installation.

### FAQs

Q - What's the maximum test load of the seat?

A - 150kg

Q - What are the hinges made from?

A - Stainless steel

Key Dimensions Descriptions	Key Dimensions (mm)
Seat/Lid Front to Back	454mm
Seat/Lid Left to Right	370mm
Ring Hole Front to Back	290mm
Ring Hole Left to Right	231mm
Seat Overall Thickness	54mm
Min/Max Adjustment for Fixings	130/183, 420/470