

TECHNICAL DATA SHEET

Diode Soft Close Toilet Seat - 8903WSC-SF

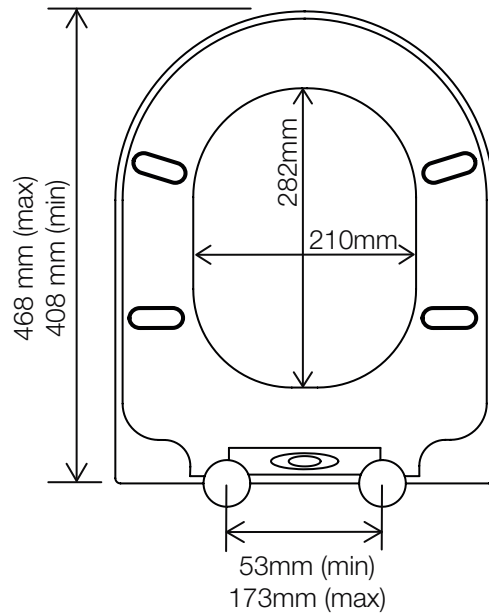
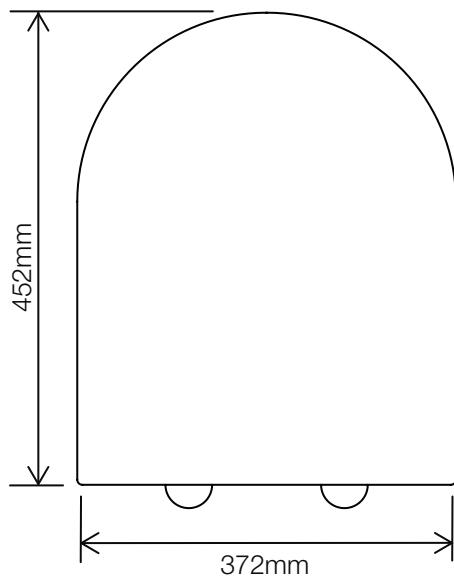
ROPER RHODES®
TRADE SOLUTIONS

NO.	Description	Product Code	Fixings included	Gross Weight	Seat Weight
1	Diode Soft Close Toilet Seat	8903WSC-SF	YES	2.9kg	2.1kg



DIMENSIONS

DIAGRAMS NOT TO SCALE | ALL DIMENSIONS IN MM | TOLERANCE OF ± 5 MM
ALL PRODUCTS CONFORM TO THE BRITISH FIXING STANDARDS



*Dimensions are subject to change, customers are advised to measure actual product before commencing installation.

FAQs

Q - What is the maximum test load of the seat?

A - 150kg

Q - What are the fixings made from?

A - Stainless Steel Cover Plates/Screws, Nylon Anchor Plates, Rubber Washers, Rubber Fixing Plugs.

Key Dimensions Descriptions	Key Dimensions (mm)
Seat/Lid Front to Back	452mm
Seat/Lid Left to Right	372mm
Ring Hole Front to Back	282mm
Ring Hole Left to Right	210mm
Seat Overall Thickness	46mm