

TECHNICAL DATA SHEET

Linear Soft Close Toilet Seat - 8905WSC-SF

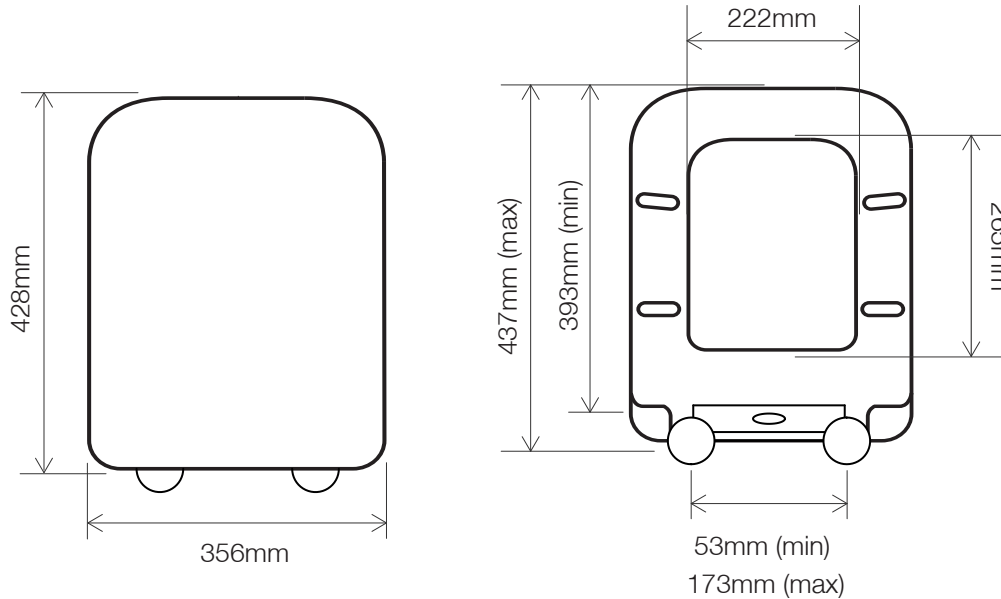
ROPER RHODES®
TRADE SOLUTIONS

NO.	Description	Product Code	Fixings included	Gross Weight	Seat Weight
1	Linear Soft Close Toilet Seat	8905WSC-SF	YES	2.5kg	2.3kg



DIMENSIONS

DIAGRAMS NOT TO SCALE | ALL DIMENSIONS IN MM | TOLERANCE OF ± 5MM
ALL PRODUCTS CONFORM TO THE BRITISH FIXING STANDARDS



*Dimensions are subject to change, customers are advised to measure actual product before commencing installation.

FAQs

Q - What's the maximum test load of the seat?

A - 150kg

Q - What are the fixings made from?

A - Reinforced nylon base plates with stainless steel cover caps

Key Dimensions Descriptions	Key Dimensions (mm)
Seat/Lid Front to Back	423mm
Seat/Lid Left to Right	356mm
Ring Hole Front to Back	264mm
Ring Hole Left to Right	220mm
Seat Overall Thickness	51mm
Min/Max Adjustment for Fixings	95/185, 393/437