

TECHNICAL DATA SHEET

Universal Soft Close Seat - DC4001-SF

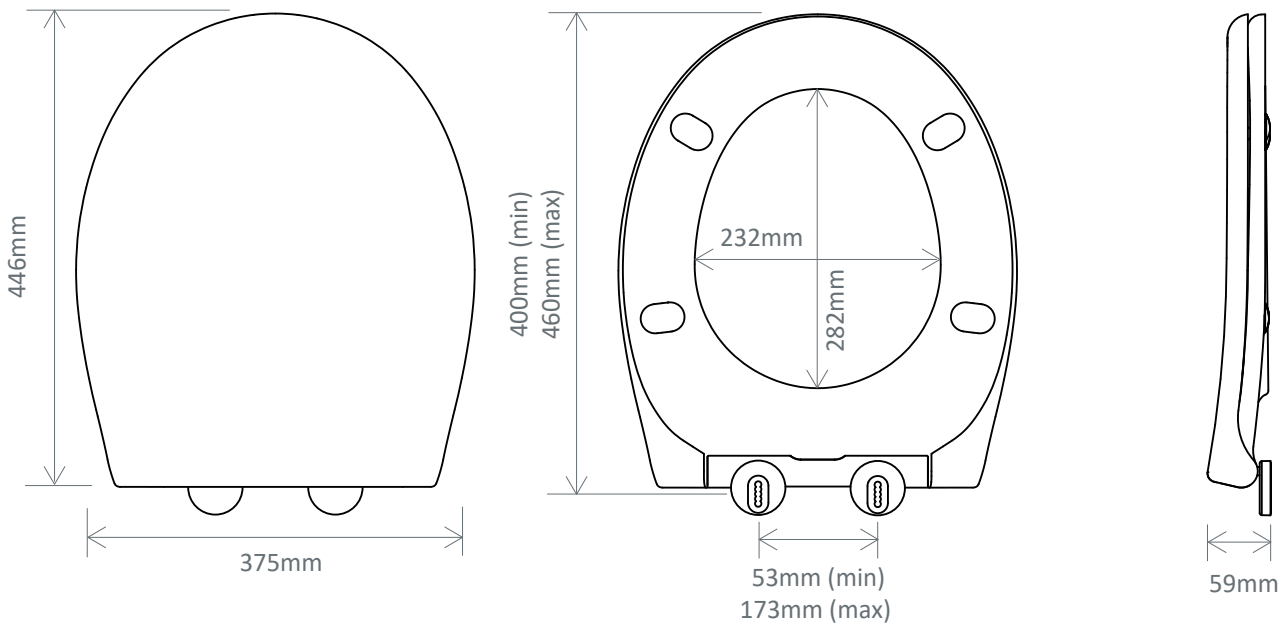
ROPER RHODES®
TRADE SOLUTIONS

NO.	Description	Product Code	Fixings included	Gross Weight	Seat Weight
1	Universal Soft Close Seat	DC4001-SF	YES	2.7kg	1.9kg



DIMENSIONS

DIAGRAMS NOT TO SCALE | ALL DIMENSIONS IN MM | TOLERANCE OF ± 5MM
ALL PRODUCTS CONFORM TO THE BRITISH FIXING STANDARDS



*Dimensions are subject to change, customers are advised to measure actual product before commencing installation.

FAQs

Q - What's the maximum test load of the seat?

A - 150kg

Q - What are the fixings made from?

A - Reinforced nylon base plates with stainless steel cover caps (chrome finish)

Key Dimensions Descriptions	Key Dimensions (mm)
Seat/Lid Front to Back	446mm
Seat/Lid Left to Right	375mm
Ring Hole Front to Back	282mm
Ring Hole Left to Right	232mm
Seat Overall Thickness	59mm
Min/Max Adjustment for Fixings	53/173, 400/460