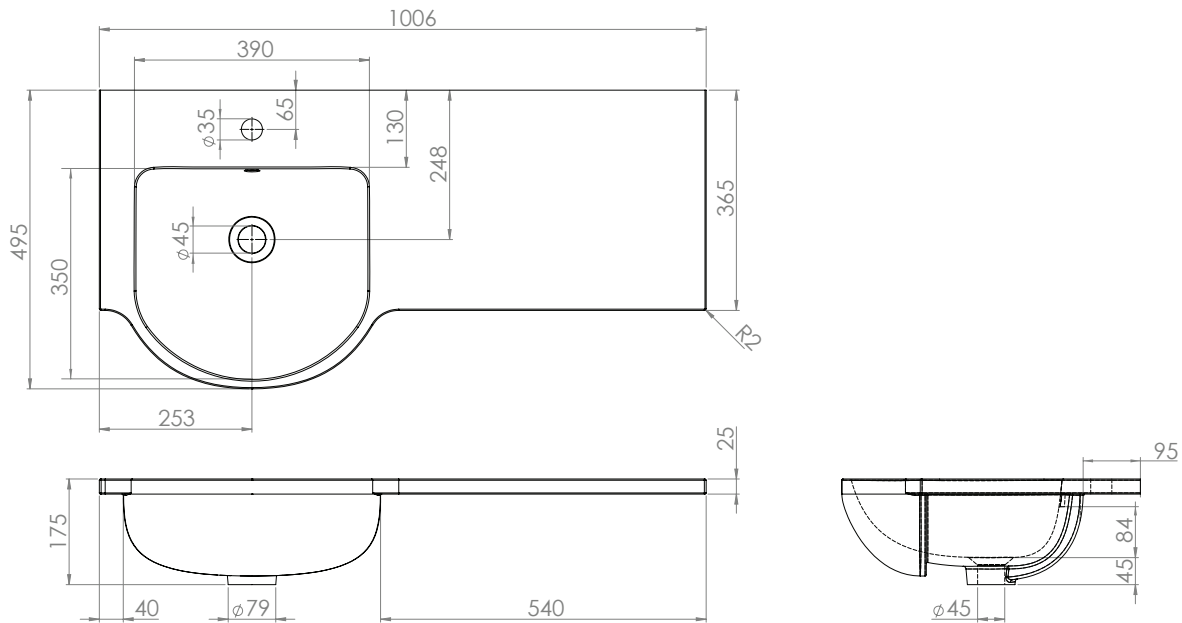


Technical Data Sheet

SOLO BASIN 1000 STD

What's in the box: 1x SO1002S.L or SO1002S.R



Diagrams not to scale
All dimensions in mm
Tolerance of +/-5mm

Materials

Basin: Isocast

**Dimensions are subject to change, customers are advised to measure actual product before commencing installation.

***Fixing point dimensions are for guidance only/the positions of wall fixing must be checked when product is received.

Isocast Information

Has many names including:

- Gelcoat
- Cultured marble
- Cast mineral marble
- Synthetic marble

Base material is 70% natural (aggregate dolomite rock - calcareous magnesium carbonate). A misconception is that this material is completely manmade. The other 30% is a mixture of various polyester resins.

A 1.5 - 2.0mm Top coating of "gelcoat" which is the proprietary name for the polyester resin used to seal all top faces of the basin / worktop. Fully tested against multiple stains which can either be removed with standard cleaners (autosol for example) or the specialist clean and shine repair kits.

FAQs

- | | |
|-----------------------------------------------------------------|----------------------------------------------------------------------------------------------------------------------------------------------------------------------------------------------------------------------------------------------------------------------------------------------------------------------------------------------|
| Q: What is the maximum water depth of the basin? | A: 84mm up to the overflow. |
| Q: What is the width of the Tapledge? | A: The Tapledge is 130mm wide. |
| Q: What is the distance from the Taphole centre to Basin Waste? | A: 183mm. |
| Q: Are fixings supplied? | A: No. |
| Q: Does the basin fit other furniture? | A: No. This basin is fit with R2 fitted furniture range only. |
| Q: Does the basin have an overflow? | A: Yes. An intergrated overflow. |
| Q: What are the taphole/ basin waste sizes? | A: All sizes are to British Standard - (BS EN 31) <ul style="list-style-type: none">• Diameter of the central tap hole = 35mm : +2/ -1mm• Bore of the waste outlet hole = 46mm : +2 / - 3mm• Diameter of the base for the seal between the waste outlet hole and the waste fitting = ≥ 60 mm |