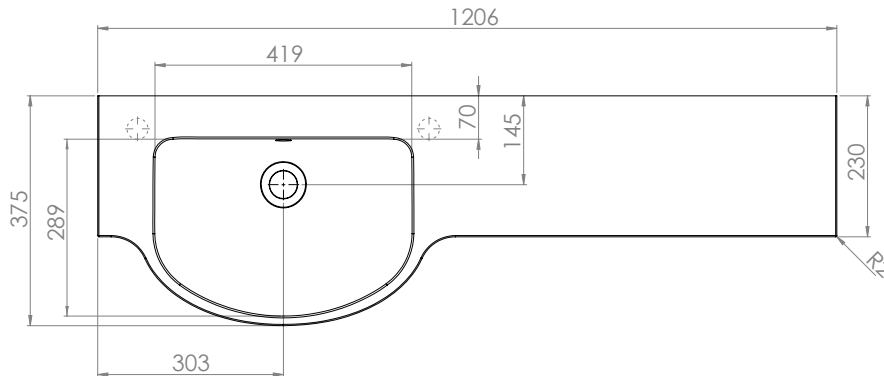


Technical Data Sheet

SOLO SLIM BASINS ARE ONLY COMPATIBLE FOR INSTALLATIONS WITH P-TRAP

SOLO BASIN 1200 SLIM

What's in the box: 1x SO1200SM.L or SO1200SM.R



Diagrams not to scale
All dimensions in mm
Tolerance of +/-5mm

Materials

Basin: Isocast



**Dimensions are subject to change, customers are advised to measure actual product before commencing installation.

***Fixing point dimensions are for guidance only/the positions of wall fixing must be checked when product is received.

Isocast Information

Has many names including:

- Gelcoat
- Cultured marble
- Cast mineral marble
- Synthetic marble

Base material is 70% natural (aggregate dolomite rock - calcareous magnesium carbonate). A misconception is that this material is completely manmade. The other 30% is a mixture of various polyester resins.

A 1.5 - 2.0mm Top coating of "gelcoat" which is the proprietary name for the polyester resin used to seal all top faces of the basin / worktop. Fully tested against multiple stains which can either be removed with standard cleaners (autosol for example) or the specialist clean and shine repair kits.

FAQs

- Q: What is the maximum water depth of the basin?
A: 84mm up to the overflow.
- Q: What is the width of the Tapledge?
A: The Tapledge is 70mm wide.
- Q: Where is the Taphole?
A: Please read the instruction and cut the taphole with the template. Suggested location as shown.
- Q: Are fixings supplied?
A: No.
- Q: Does the basin fit other furniture?
A: No. This basin is fit with R2 fitted furniture range only.
- Q: Does the basin have an overflow?
A: Yes. An intergrated overflow.
- Q: What traps shall I use?
A: Solo slim basins are only compatible for installations with a low profile plumbing bottle trap (P-Trap).
- Q: What are the basin waste sizes?
A: All sizes are to British Standard - (BS EN 31)
- Bore of the waste outlet hole = 46mm : +2 / - 3mm
 - Diameter of the base for the seal between the waste outlet hole and the waste fitting = ≥ 60 mm