

Technical Data Sheet

Quantum Dual Function Bar Valve Shower System

SQT1512 (Black), SQT1513 (Brass), SQT1514 (Gunmetal)

TAVISTOCK

Description

Quantum Cool Touch 2F Shower System

Code

SQT1512, SQT1513, SQT1514



Electroplated



PVD

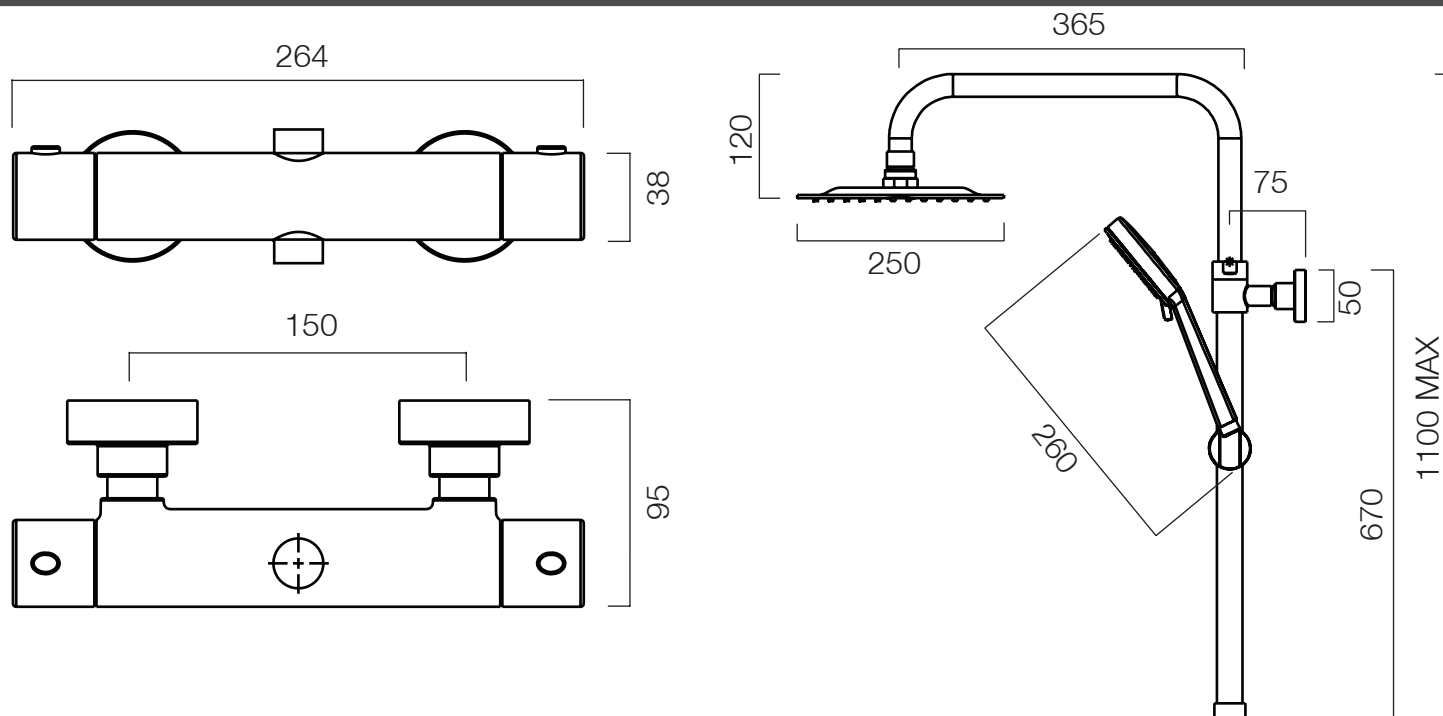


PVD

Inlet Pressure	Flow Rate (l/min)
1bar	12
2bar	17
3bar	21
4bar	24
5bar	27

FLOW RATE DATA IS TESTED UNDER LABORATORY CONDITIONS: ACTUAL FLOW RATE MAY VARY DEPENDING ON DOMESTIC SUPPLY AND ACCESSORIES.

Dimensions - Overview



*Dimensions are subject to change, customers are advised to measure Actual product before commencing installation.

FAQs

How tall is the riser rail? Adjustable: 760mm - 1100mm

How long is the shower hose? 1.5m

What is the minimum pressure for the valve? 1.0bar

What is the valve connection size? 1/2" BSP

Component Materials

Shower Hose: PVC with EDPM washers

Riser Rail: Stainless steel with ABS slider

Wall Covers: Stainless steel

Bar Valve: Brass

Shower Handset: ABS

Shower Head: Stainless Steel