

No.	Description	Code	Fixings Included
1	Quantum Cool Touch 1F Shower System	SQT2416	YES



### Key Features:

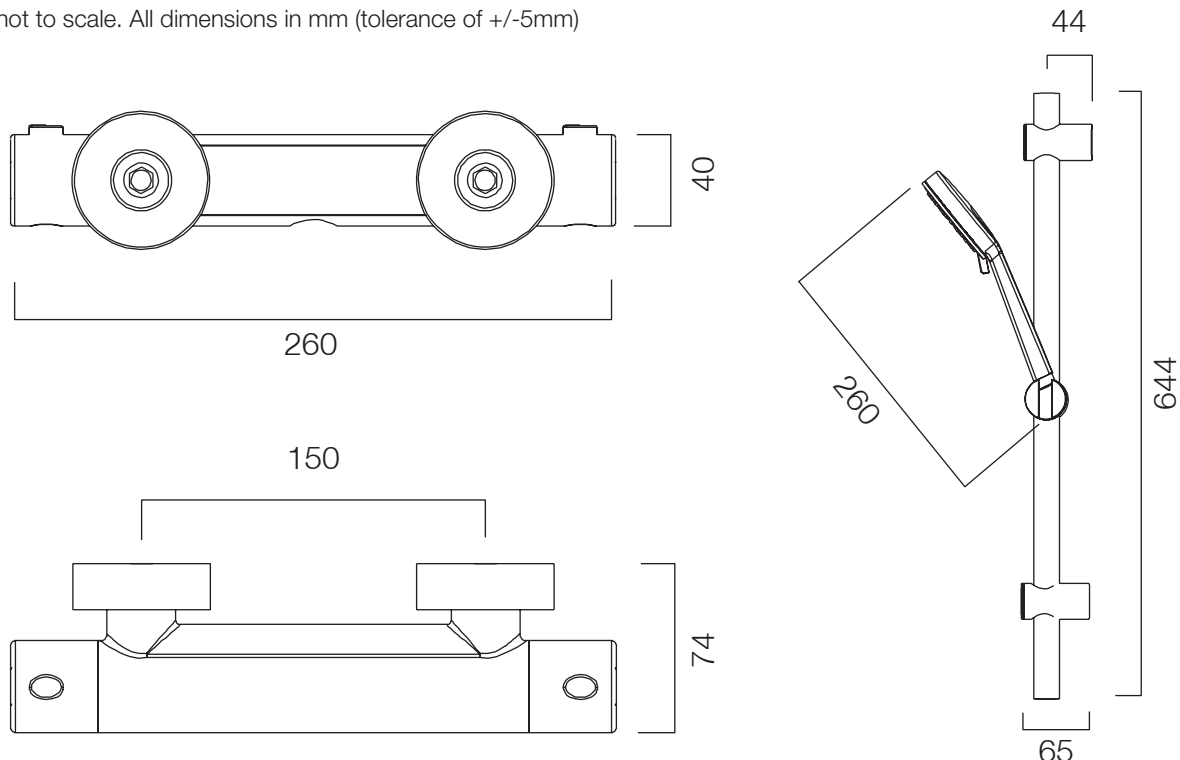
- Multi function shower handset
- Automatic shut off if cold water fails
- Anti-scald thermostatic control
- Cool touch valve reduces scalding
- Built in limescale resistance
- Easy fit compression fixing kit
- Stainless steel riser rail
- Easy clean PVC hose

Inlet Pressure	Flow Rate (l/min)
1bar	11.5
2bar	15.5
3bar	19
4bar	22
5bar	25

Flow from valve may vary depending on accessories and domestic supply.

## Dimensions - Overview

Diagrams not to scale. All dimensions in mm (tolerance of +/-5mm)



## FAQs

**How tall is the riser rail?** 644mm with adjustable wall fixing bracket

**How long is the shower hose?** 1.5m

**What is the minimum pressure for the valve?** 1.0bar

**What is the valve connection size?** 1/2" suitable for 15mm pipework

**What is the diameter of the riser rail?** 25mm

### Component Materials:

**Shower Hose:** Silver PVC with EDPM washers

**Riser Rail:** Stainless steel with ABS wall brackets and slider

**Wall Covers:** Chromed ABS

**Bar Valve:** Chrome plated brass

**Shower Handset:** Chromed ABS