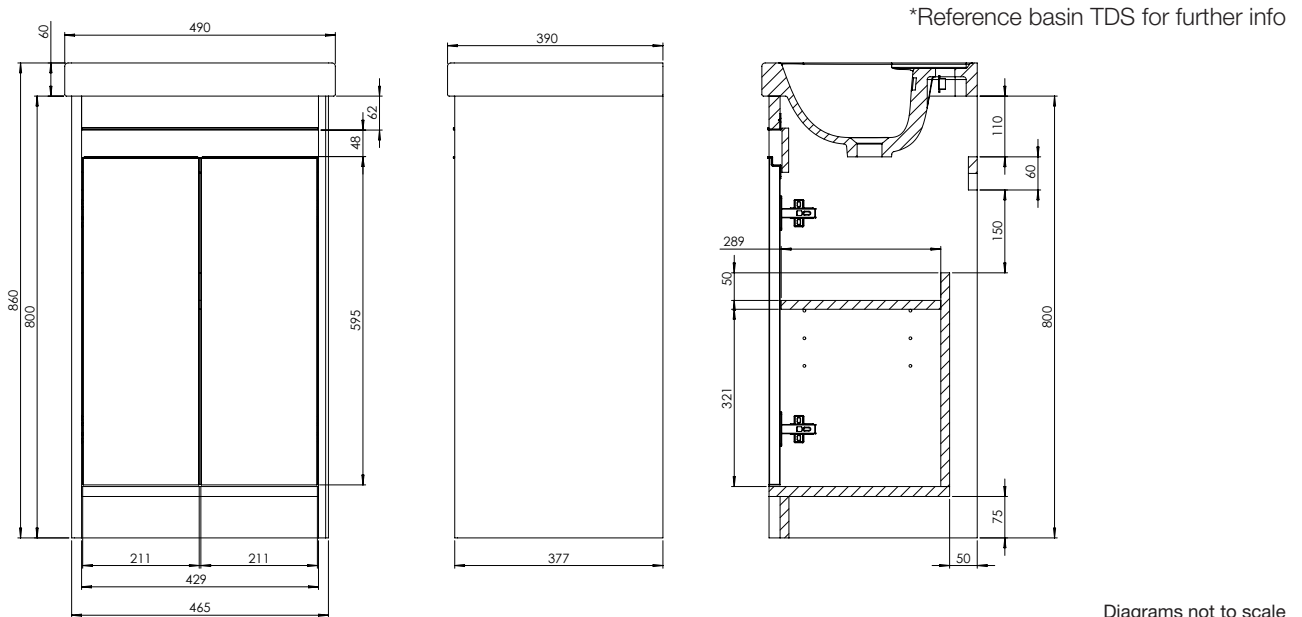


# Technical Data Sheet

## STATUS 500mm 2 DOOR UNIT

What's in the box: 1x STA5010.X + Fixings

# R2



Diagrams not to scale  
All dimensions in mm  
Tolerance of +/-5mm  
Handle included in diagram

### Materials

Carcass: 18mm painted MDF, 20mm painted MDF  
Fascia Components: 20mm painted MDF

\*\*Dimensions are subject to change, customers are advised to measure actual product before commencing installation.  
\*\*\*Fixing point dimensions are for guidance only/the positions of wall fixing must be checked when product is received.

### FAQs

- |   |   |
|---|---|
| Q: How big is the plumbing void?            | A: 50mm   |
| Q: Are the handles fitted?                  | A: No, a choice of three finishes are available separately. These can be installed using the pilot holes on the rear of the door. |
| Q: Are the hinges soft close?               | A: The hinges are both soft close and quick release.  |
| Q: How deep is the unit with door open?     | A: Approx. depth with 90° hinge: 590mm  |
| Q: Can the doors be adjusted?               | A: The door can be adjusted as detailed in the supplied instructions  |
| Q: Is the shelf removable?                  | A: Yes, there is one removable shelf.   |
| Q: What is the shelf capacity?              | A: Shelf max. depth: 290mm.   |
| Q: How many shelves are there?              | A: There is one shelf and a base within the unit.   |
| Q: Is the shelf adjustable?                 | A: Yes, the shelf is adjustable.  |
| Q: What is the interior finish of the unit? | A: The unit interior finish is dark grey.   |

NOTE: Colours unique to R2 - No RAL Code available