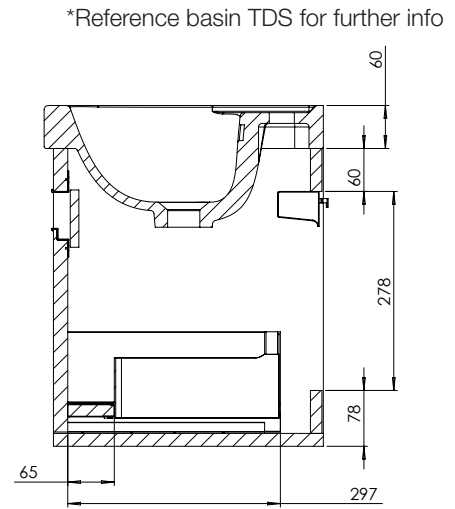
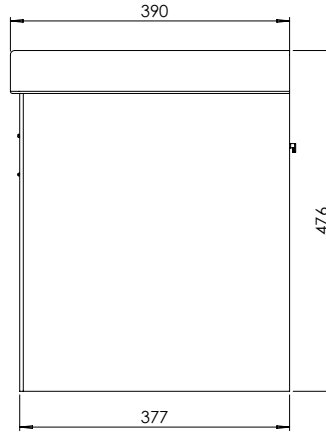
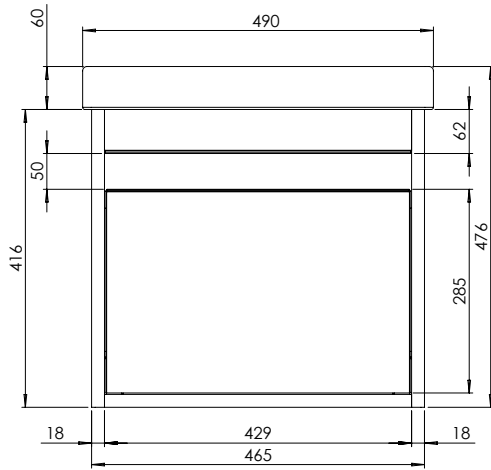


# Technical Data Sheet

## STATUS 500mm 1 DRAWER UNIT

What's in the box: 1x STA5012.X + Fixings

# R2



Diagrams not to scale  
All dimensions in mm  
Tolerance of +/-5mm  
Handle included in diagram

### Materials

Carcass: 18mm painted MDF, 20mm painted MDF  
Fascia Components: 20mm painted MDF

\*\*Dimensions are subject to change, customers are advised to measure actual product before commencing installation.  
\*\*\*Fixing point dimensions are for guidance only/the positions of wall fixing must be checked when product is received.

### Extra Dimensions

Internal Drawer Depth - Front to Back:	230mm
Internal Drawer Height:	100mm
Internal Drawer Width:	390mm
Drawer Cut Out (W&D):	120mm x 210mm

### FAQs

Q: How big is the plumbing void?	A: No plumbing void, open back to receive pipe work straight from wall.
Q: Are the handles fitted?	A: No, a choice of three finishes are available separately. These can be installed using the pilot holes on the rear of the drawer fascia.
Q: Are the runners soft close?	A: The runners are both soft close and quick release.
Q: How deep is the unit when the drawers are fully open?	A: Approx: 760mm.
Q: Can the drawers be adjusted?	A: The drawers can be adjusted as detailed in the supplied instructions.
Q: What is the interior finish of the unit?	A: The unit interior finish is dark grey.
Q: Can I remove the transit bar at the top of the unit?	A: Yes, this should be removed on installation, unless using a vessel basin and worktop.

NOTE: Colours unique to R2 - No RAL Code available