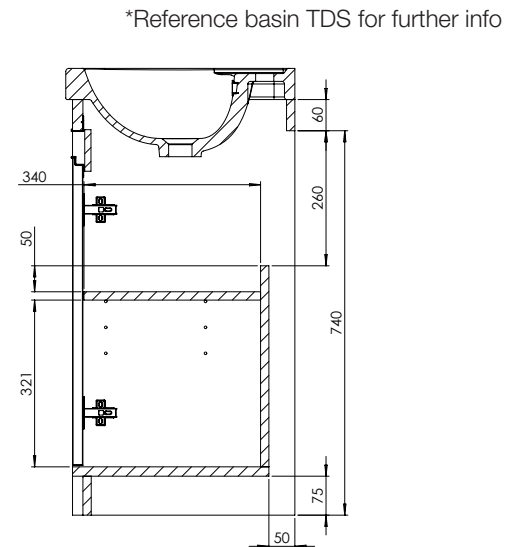
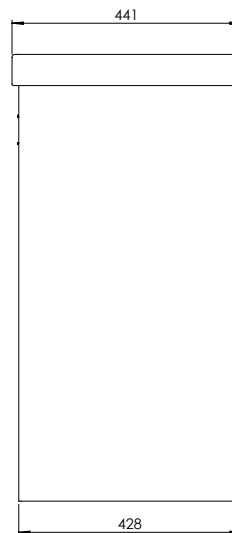
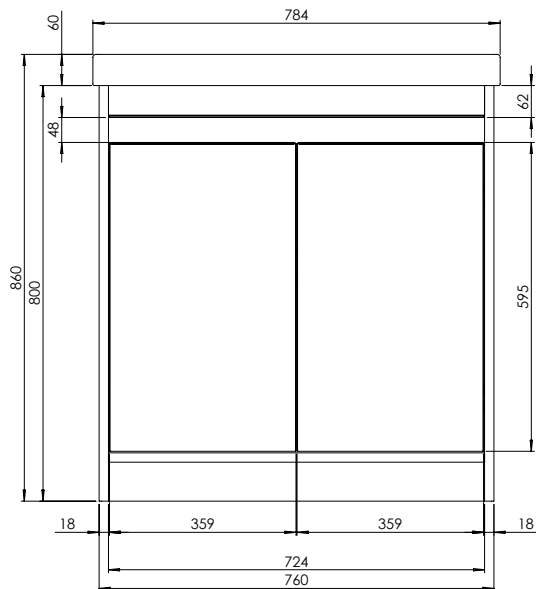


Technical Data Sheet

STATUS 800mm 2 DOOR UNIT

What's in the box: 1x STA8010.X + Fixings

R2



Diagrams not to scale
All dimensions in mm
Tolerance of +/-5mm
Handle included in diagram

Materials

Carcass: 18mm painted MDF, 20mm painted MDF

Fascia Components: 20mm painted MDF

**Dimensions are subject to change, customers are advised to measure actual product before commencing installation.

***Fixing point dimensions are for guidance only/the positions of wall fixing must be checked when product is received.

FAQs

Q: How big is the plumbing void?

A: 50mm

Q: Are the handles fitted?

A: No, a choice of three finishes are available separately. These can be installed using the pilot holes on the rear of the drawer fascia.

Q: Are the hinges soft close?

A: The hinges are both soft close and quick release.

Q: How deep is the unit with door open?

A: Approx. depth with 90° hinge: 820mm

Q: Can the doors be adjusted?

A: The door can be adjusted as detailed in the supplied instructions

Q: Is the shelf removable?

A: Yes, there is one removable shelf.

Q: What is the shelf capacity?

A: Shelf max. depth: 340mm.

Q: How many shelves are there?

A: There is one shelf and a base within the unit.

Q: Is the shelf adjustable?

A: Yes, the shelf is adjustable.

Q: What is the interior finish of the unit?

A: The unit interior finish is dark grey.

NOTE: Colours unique to R2 - No RAL Code available