

# ROPER RHODES®

## Technical Data Sheet

### Event-Click Dual Function Push Button Shower Valve

SV3214 (Chrome) SV3218 (Black) SV321404 (Brass)

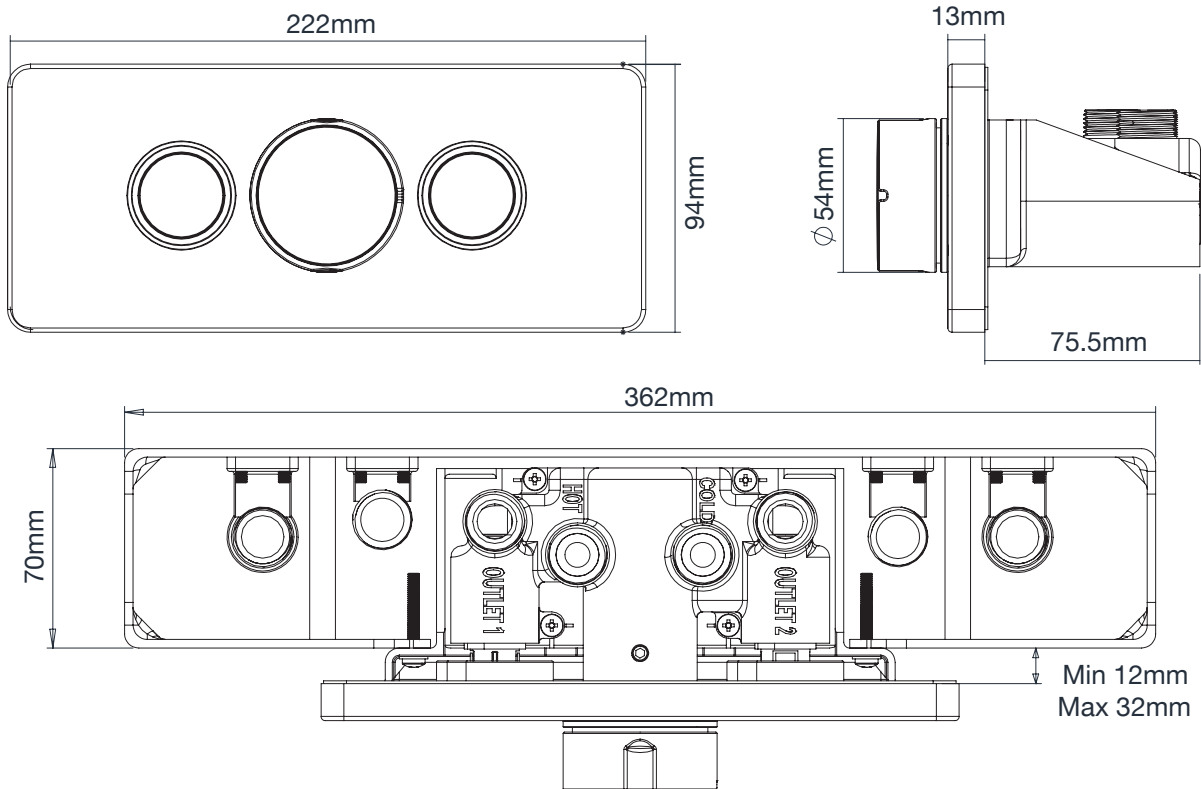


**FLOW RATE DATA IS TESTED UNDER LABORATORY CONDITIONS: ACTUAL FLOW RATE MAY VARY DEPENDING ON DOMESTIC SUPPLY AND ACCESSORIES**

Minimum Pressure:	1 BAR
Pressure:	Flow Rate (l/min)
1 BAR	9.7
2 BAR	14
3 BAR	17
4 BAR	19

## Dimensions

Diagrams not to scale. All dimensions in mm (tolerance of +/-5mm)



## FAQs

What is the recommended operating pressure? 1.0bar

What is the size of the connections? The valve uses 1/2" connections

Can the system be mounted vertically and horizontally? Yes

Can I have all shower options on at the same time? Yes

What size pipework do I need? 15mm

Is it suitable for stud walls? It is recommended you use CLS size 89mm depth within the wall

Does the valve include isolation points? Yes