

# Technical Data Sheet

# ROPER RHODES®

## Event-Click Round

No.	Description	Code	Fixings Included
1	Event-Click Round Shower Valve	SV3214 SV3218	YES

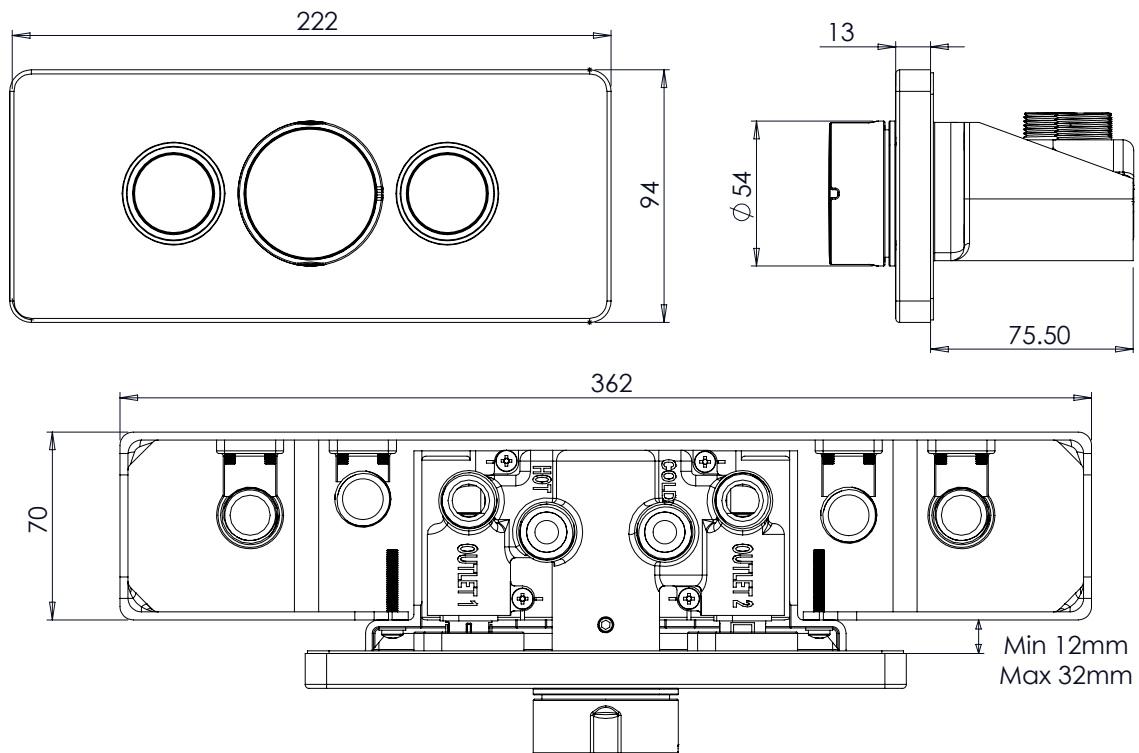
**FLOW RATE DATA IS TESTED UNDER LABORATORY CONDITIONS: ACTUAL FLOW RATE MAY VARY DEPENDING ON DOMESTIC SUPPLY AND ACCESSORIES**

Whats in the box?	Material
Cover Plate and controls	Chrome Plated Zinc Black Plated Zinc
Valve	(Body) Brass
Flexible Hoses	PVC
Installation Frame	Zinc Plated Steel

Inlet Pressure	Flow Rate (l/min) Head	Flow Rate (l/min) Handset
1bar	9.7	9.5
2bar	14	13.5
3bar	17	16.5
4bar	19	18.5
5bar	21	20.5

### Dimensions - SV3214 SV3218

Diagrams not to scale. All dimensions in mm.



\*Dimensions are subject to change, customers are advised to measure actual product before commencing installation.

### FAQs

**How do I control the shower water flow?** Push the button

**Can I have both shower options on at the same time?** Yes

**What size pipework do I need?** 15mm

**What size timber stud do I need?** Minimum depth of 89mm

**Is it suitable for brick walls?** It is recommended you use CLS size 89mm depth within the wall

**What is the size of the connections?** The valve uses 1/2" connections

**Does the valve include isolation points?** Yes

**What is the black finish?** PVD coated brass