

ROPER RHODES®

Technical Data Sheet

Recite Single Function Shower Valve

SV4004 (Chrome) SV400403 (Black) SV400404 (Brass)

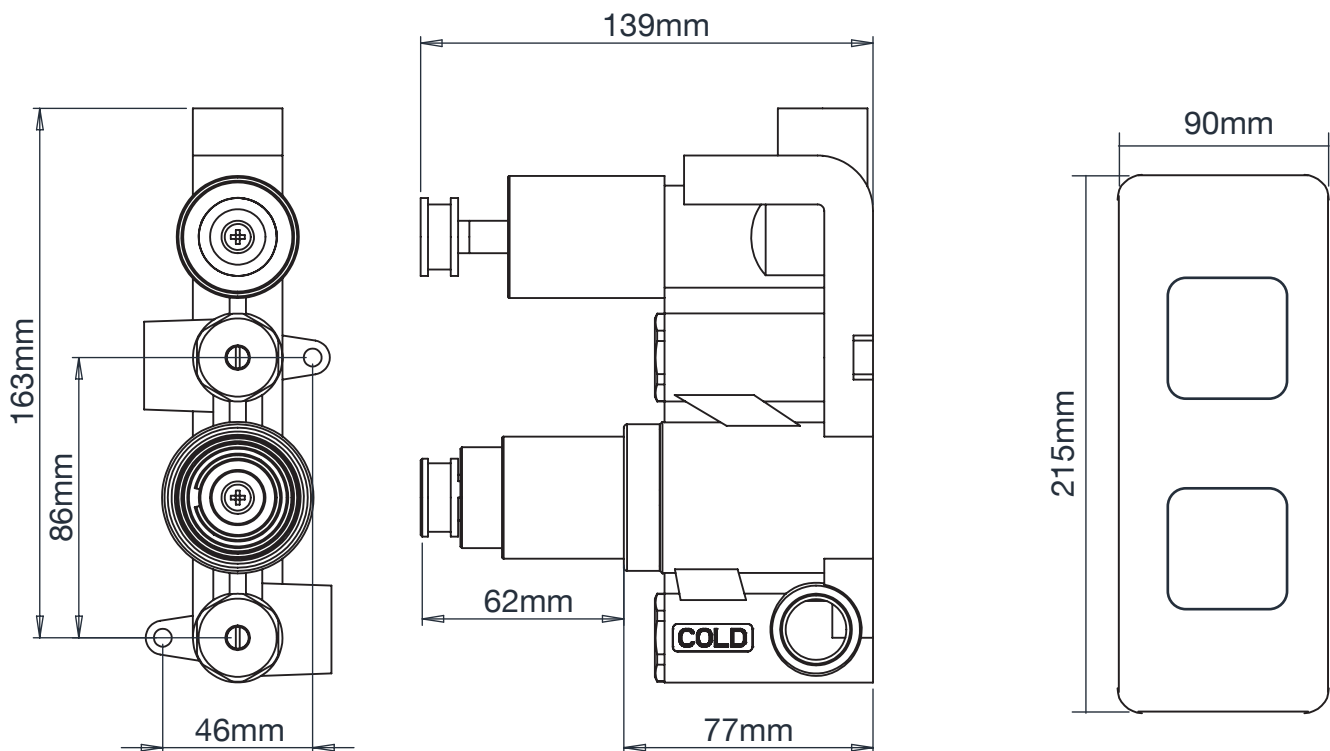


FLOW RATE DATA IS TESTED UNDER LABORATORY CONDITIONS: ACTUAL FLOW RATE MAY VARY DEPENDING ON DOMESTIC SUPPLY AND ACCESSORIES

Minimum Pressure:	0.5 BAR
Pressure:	Flow Rate (l/min)
0.5 BAR	10.7
1 BAR	14.5
2 BAR	21
3 BAR	26

Dimensions

Diagrams not to scale. All dimensions in mm (tolerance of +/-5mm)



FAQs

What is the recommended operating pressure? 0.5 BAR

What is the size of the connections? 1/2" Outlets, 3/4" Inlets

What is included in the valve box? Valve, Coverplate and Handles

What is the minimum cavity depth? 77mm

Chrome Valve Handle - SVHANUN

Chrome Valve Plate - SVCOMP7

Valve - RR18