

ROPER RHODES®

Technical Data Sheet

Recite Triple Function Shower Valve

SV4009 (Chrome) SV400903 (Black) SV400904 (Brass)

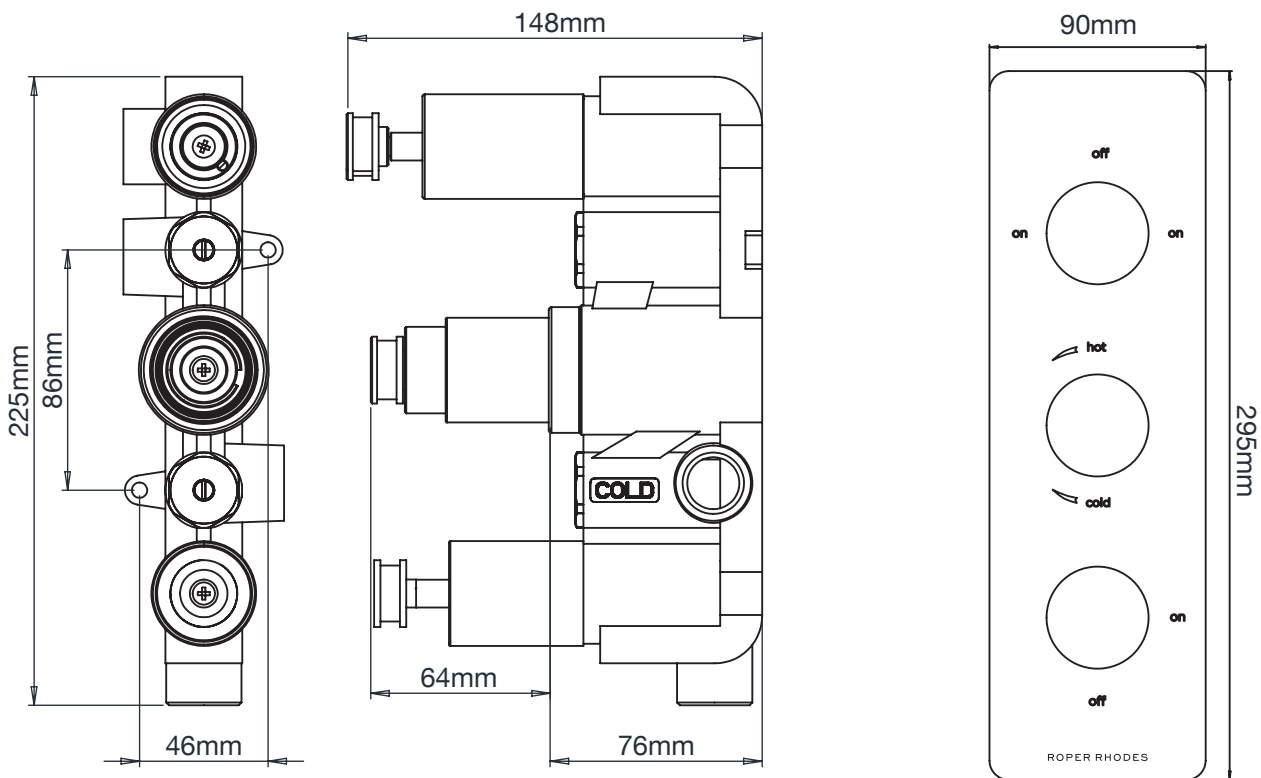


FLOW RATE DATA IS TESTED UNDER LABORATORY CONDITIONS: ACTUAL FLOW RATE MAY VARY DEPENDING ON DOMESTIC SUPPLY AND ACCESSORIES

Minimum Pressure:	0.5 BAR
Pressure:	Flow Rate (l/min)
0.5 BAR	10.1
1 BAR	14.3
2 BAR	21
3 BAR	25.9

Dimensions

Diagrams not to scale. All dimensions in mm (tolerance of +/-5mm)



FAQs

What is the recommended operating pressure? 0.5 BAR

What is the size of the connections? 1/2" Outlets, 3/4" Inlets

Can I have multiple shower options on at the same time? Yes, the outlet attached to the single diverter can be used simultaneously with one of the outlets attached to the the dual diverter

What is included in the valve box? Valve, Coverplate and Handles

What is the minimum cavity depth? 77mm