

Technical Data Sheet

ROPER RHODES®

Recite 2F Concealed shower Valve Black - SV4015

| No. | Description | Code | Fixings Included |
|-----|-------------------------------------|--------|------------------|
| 1 | Recite 2F Concealed shower Valve CH | SV4015 | YES |

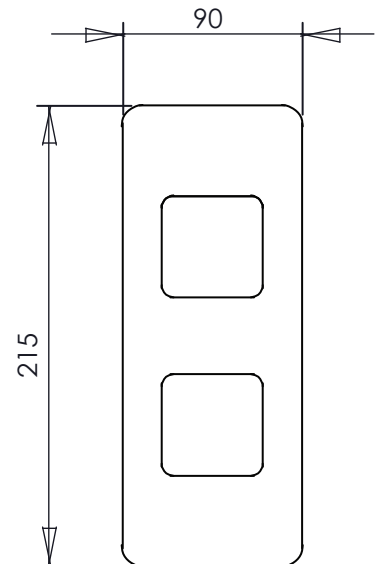
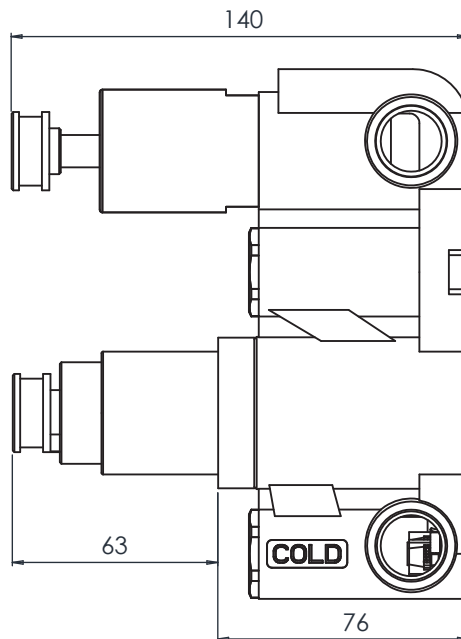
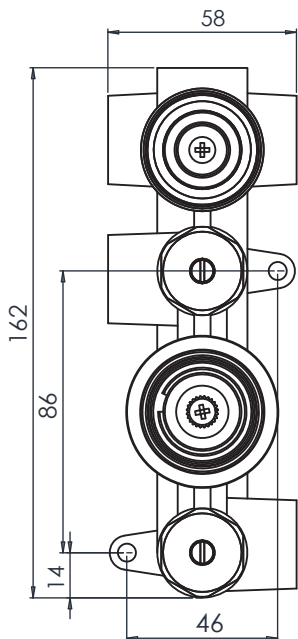


FLOW RATE DATA IS TESTED UNDER LABORATORY CONDITIONS: ACTUAL FLOW RATE MAY VARY DEPENDING ON DOMESTIC SUPPLY AND ACCESSORIES

| | |
|-------------------|-------------------|
| Minimum Pressure: | 1BAR |
| Inlet Pressure | Flow Rate (l/min) |
| 1bar | 11.6 |
| 2bar | 17 |
| 3bar | 21 |

Dimensions - SV4015

Diagrams not to scale. All dimensions in mm (tolerance of +/-5mm)



FAQs

What is included in the valve box? The valve, a cover plate, a set of handles and trim rings.

What is the size of the connections? The valve uses 1/2" connections.

What is the recommended operating pressure? 1.0bar

Components

Valve - RR19

Chrome Valve Plate - SVCOMP16

Chrome Valve Handle - SVHANREC.B