

Technical Data Sheet

Thermostatic Concealed Valves

ROPER RHODES®

No.	Description	Code	Fixings Included
1	Thermostatic Dual Function Valve	SV6606	YES

Whats in the Box?	Material
Coverplate and controls	Chrome Plated
Valve	(Body) Brass
Flexible Hoses	EPDM Lined
Installation Frame	Zinc Plated Steel

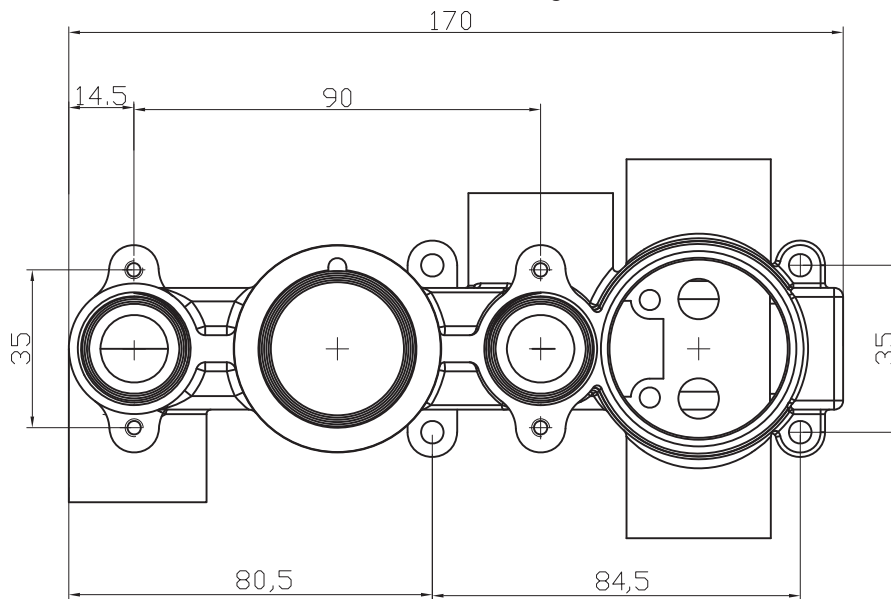


FLOW RATE DATA IS TESTED UNDER LABORATORY CONDITIONS: ACTUAL FLOW RATE MAY VARY DEPENDING ON DOMESTIC SUPPLY AND ACCESSORIES

Inlet Pressure	Flow Rate (l/min)
0.3bar	12.32
0.4bar	14.23
0.5bar	15.91
1bar	22.50
2bar	31.82
3bar	35.00

Dimensions - SV6606

Diagrams not to scale. All dimensions in mm (tolerance of +/-5mm)



*Dimensions are subject to change, customers are advised to measure actual product before commencing installation.

FAQs

What is included in the valve box? The valve, a cover plate, a set of handles and trim rings.

How many fixing holes does the valve have? Four - two on the bottom and two on top of the valve.

What is the size of the connections? The valve uses 1/2" connections.

What are the dimensions of the cover plate? 102(w) x 214mm(h)