

# Technical Data Sheet

## Thermostatic Concealed Valves

# ROPER RHODES®

No.	Description	Code	Fixings Included
1	Thermostatic Triple Function Valve	SV6609	YES

Whats in the Box?	Material
Coverplate and controls	Chrome Plated
Valve	(Body) Brass
Flexible Hoses	EPDM Lined
Installation Frame	Zinc Plated Steel

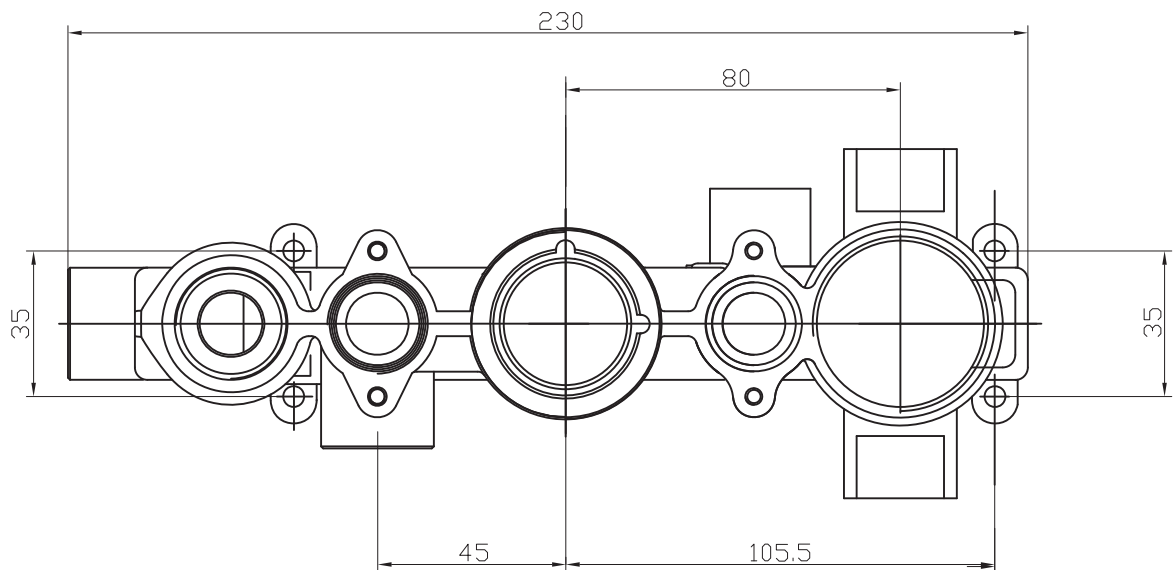


**FLOW RATE DATA IS TESTED UNDER LABORATORY CONDITIONS: ACTUAL FLOW RATE MAY VARY DEPENDING ON DOMESTIC SUPPLY AND ACCESSORIES**

Inlet Pressure	Flow Rate (l/min)
1bar	23.60
2bar	33.37
3bar	37.00
4bar	47.20
5bar	52.30

## Dimensions - SV6609

Diagrams not to scale. All dimensions in mm (tolerance of +/-5mm)



\*Dimensions are subject to change, customers are advised to measure actual product before commencing installation.

## FAQs

**What is included in the valve box?** The valve, a cover plate, a set of handles and trim rings.

**How many fixing holes does the valve have?** Four - two on the bottom and two on top of the valve.

**What is the size of the connections?** The valve uses 1/2" connections.

**What are the dimensions of the cover plate?** 102(w) x 280mm(h)