

Technical Data Sheet

ROPER RHODES®

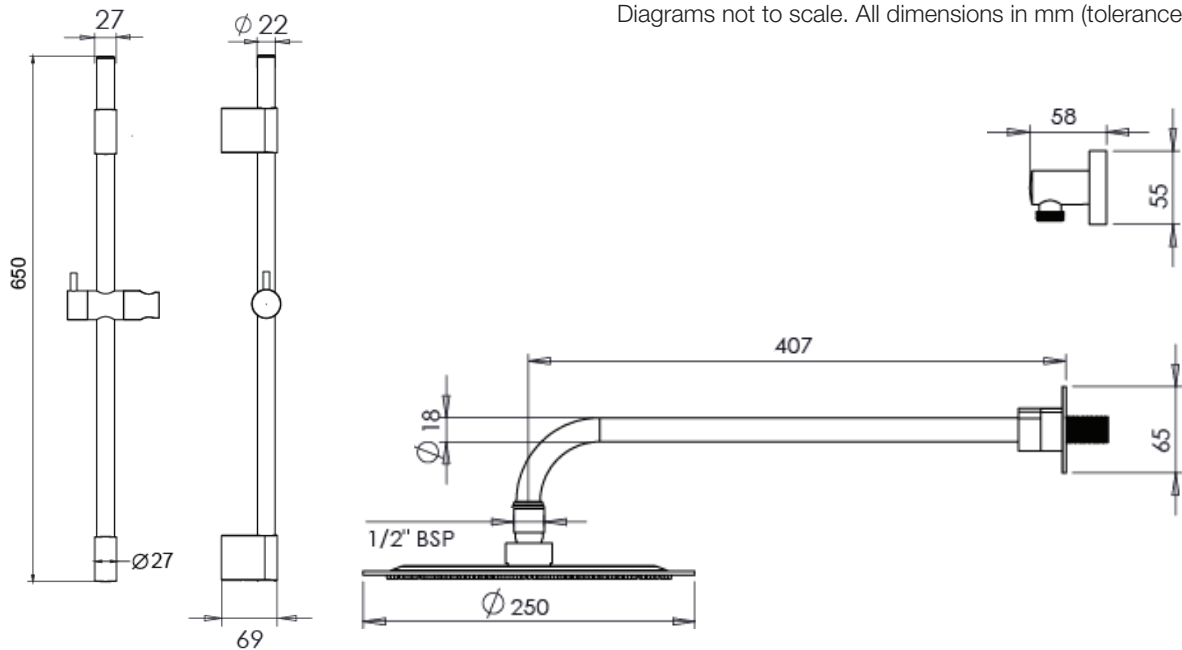
Wessex Shower Systems

No.	Description	Code	Fixings Included
1	Wessex Triple Function Shower System With Smartflow Bath Filler	SVSET112	YES



FLOW RATE DATA IS TESTED UNDER LABORATORY CONDITIONS: ACTUAL FLOW RATE MAY VARY DEPENDING ON DOMESTIC SUPPLY AND ACCESSORIES

Inlet Pressure	Flow Rate (l/min)
1bar	23.60
2bar	33.37
3bar	37.00
4bar	47.20
5bar	52.30



Diagrams not to scale. All dimensions in mm (tolerance of +/-5mm)

FAQs

- What is the rail fixing centres?** 595mm
- How long is the shower hose?** 1.5m
- What is the minimum pressure for the valve?** 1bar
- What is the valve connection size?** 1/2"
- What is the diameter of the handset?** 110mm
- What are the dimensions of the Shower Valve?** 102(w) x 280mm(h)

Components - SVSET112

- Triple Function Thermostatic Shower Valve - SV6609
- 460mm Adjustable Brass Fixed Arm - SVARM01
- 250mm Stainless Steel Shower Head - SVHEAD12
- Air-drive Five Function Shower Handset - SVHEAD29
- Brass Shower Hose - SVHOSE01
- Riser Rail - SVRAIL05
- Brass Wall Elbow - SVACS03
- Smartflow Bath Filler - SVACS02