

# ROPER RHODES®

## Technical Data Sheet

### Keswick Dual Function Concealed Shower System With Riser And Arm

SVSET131 (Chrome) SVSET178 (Brass)

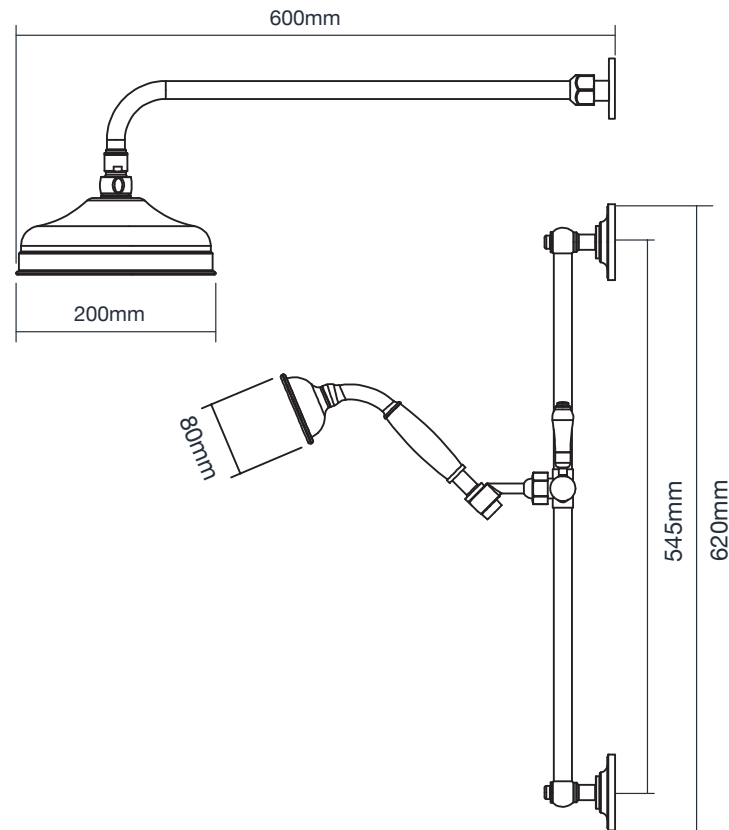
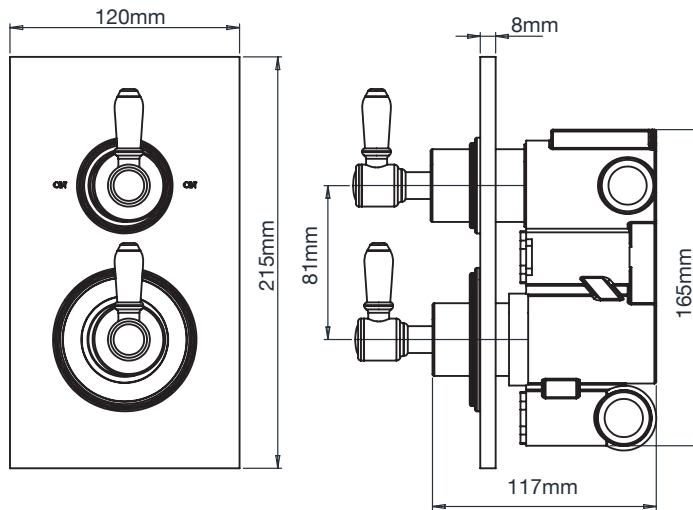


**FLOW RATE DATA IS TESTED UNDER LABORATORY CONDITIONS: ACTUAL FLOW RATE MAY VARY DEPENDING ON DOMESTIC SUPPLY AND ACCESSORIES**

Minimum Pressure:	0.5 BAR
Pressure:	Flow Rate (l/min)
0.5 BAR	8.84
1 BAR	12.12
2 BAR	17.6
3 BAR	18.4

## Dimensions

Diagrams not to scale. All dimensions in mm (tolerance of +/-5mm)



## FAQs

**What is the recommended minimum pressure?** 0.5Bar

**What are the valve inlet/outlet sizes?** 3/4" BSP

**Whats is the minimum / maximum cavity depth?** Minimum 77mm - Maximum 106mm

**Can both outlets be used at the same time?** No, only one outlet can be selected at once.

**Can the riser rail and arm length be adjusted?** The riser rail and arm can be cut down prior to fitting.

**What is the length of the hose?** 1.5m