

Technical Data Sheet

ROPER RHODES®

Recite 2F Concealed shower Valve CH - SV4006

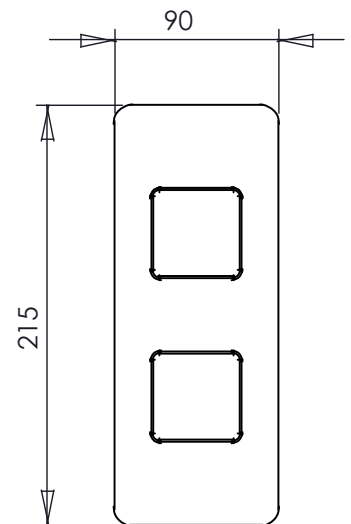
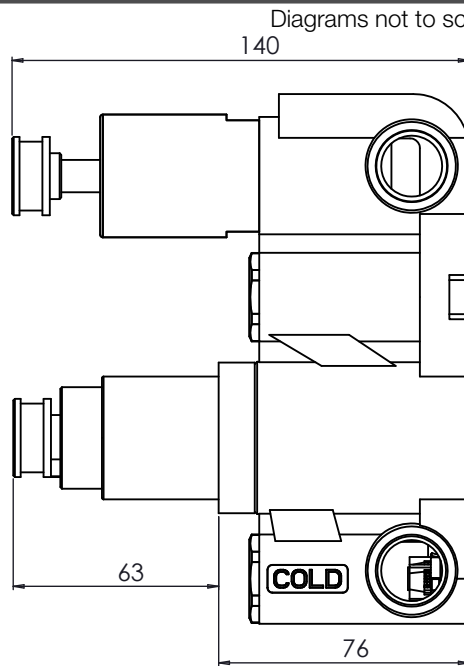
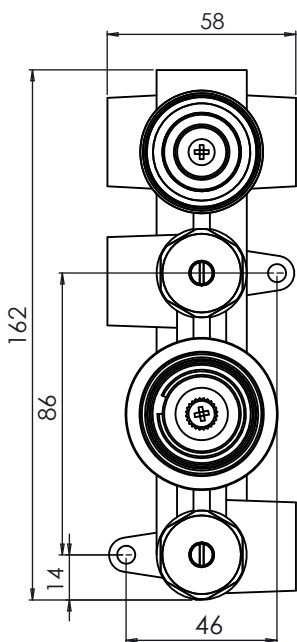
No.	Description	Code	Fixings Included
1	Recite 2F Concealed shower Valve CH	SV4006	YES



FLOW RATE DATA IS TESTED UNDER LABORATORY CONDITIONS: ACTUAL FLOW RATE MAY VARY DEPENDING ON DOMESTIC SUPPLY AND ACCESSORIES

Minimum Pressure:	1BAR
Inlet Pressure	Flow Rate (l/min)
1bar	11.6
2bar	17
3bar	21

Dimensions - SV4006



Diagrams not to scale. All dimensions in mm (tolerance of +/-5mm)

FAQs

What is included in the valve box? The valve, a cover plate, a set of handles and trim rings.

What is the size of the connections? The valve uses 1/2" connections.

What is the recommended operating pressure? 1.0bar

Components

Valve - RR18

Chrome Valve Plate - SVCOMP6

Chrome Valve Handle - SVHANREC

Technical Data Sheet

ROPER RHODES®

Recite 2F Concealed shower System CH - SVSET153

No.	Description	Code	Fixings Included
1	Recite 2F Concealed shower System CH	SVSET153	YES

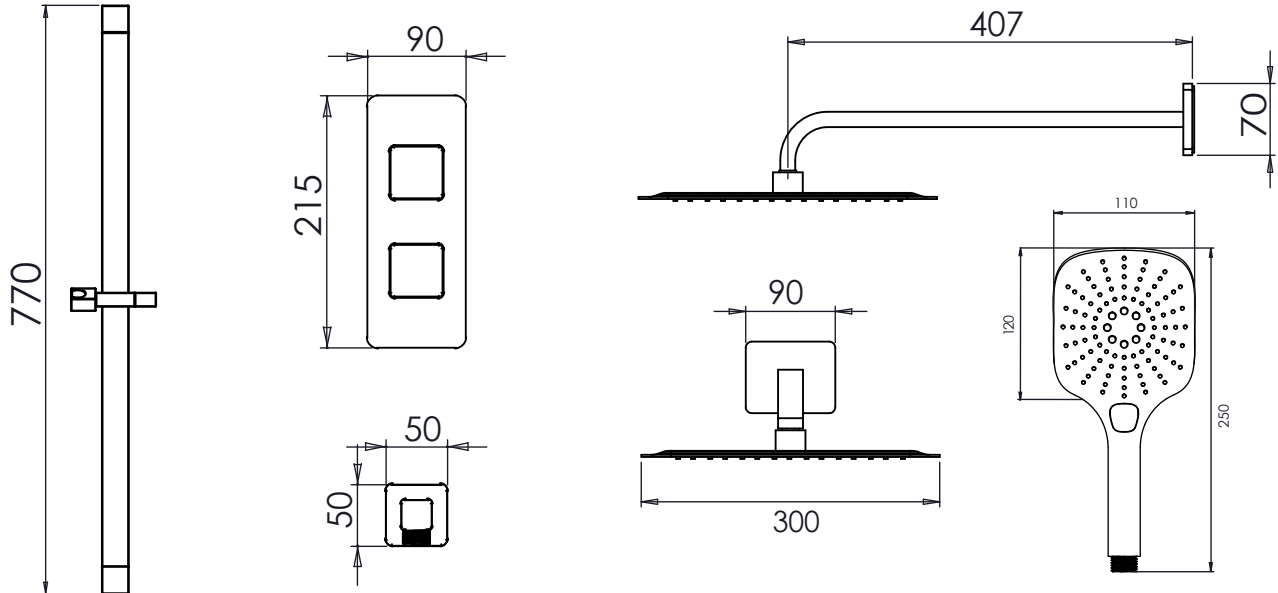


FLOW RATE DATA IS TESTED UNDER LABORATORY CONDITIONS: ACTUAL FLOW RATE MAY VARY DEPENDING ON DOMESTIC SUPPLY AND ACCESSORIES

Minimum Pressure:	1BAR
Inlet Pressure	Flow Rate (l/min)
1bar	11.6
2bar	17
3bar	21

Dimensions - SVSET153

Diagrams not to scale. All dimensions in mm (tolerance of +/-5mm)



FAQs

What is the size of the connections? The valve uses 1/2" connections.

Can I have both shower options on at the same time? Yes

What size Pipework do i need? 15mm

Is it suitable for stud walls? It is recommended you use CLS size 89mm depth within the wall

Does the valve include isolation points? Yes

What is the recommended operating pressure? 1.0bar

Components

Valve - RR18
 Chrome Shower Plate - SVCOMP6
 Chrome Valve Handle - SVHANREC
 Riser Rail - SVRAIL11
 Handset - SVHEAD45
 Easy Clean PVC shower Hose - SVHOSE02
 Brass Wall Elbow - SVACS06
 Fixed Arm - SVARM05
 Stainless Steel Shower Head - SVHEAD15