

# ROPER RHODES<sup>®</sup>

## Technical Data Sheet

### Event-Click Dual Function Push Button Shower System With Shower Head And Handset Outlet

SVSET164 (Black) SVSET206 (Brass)

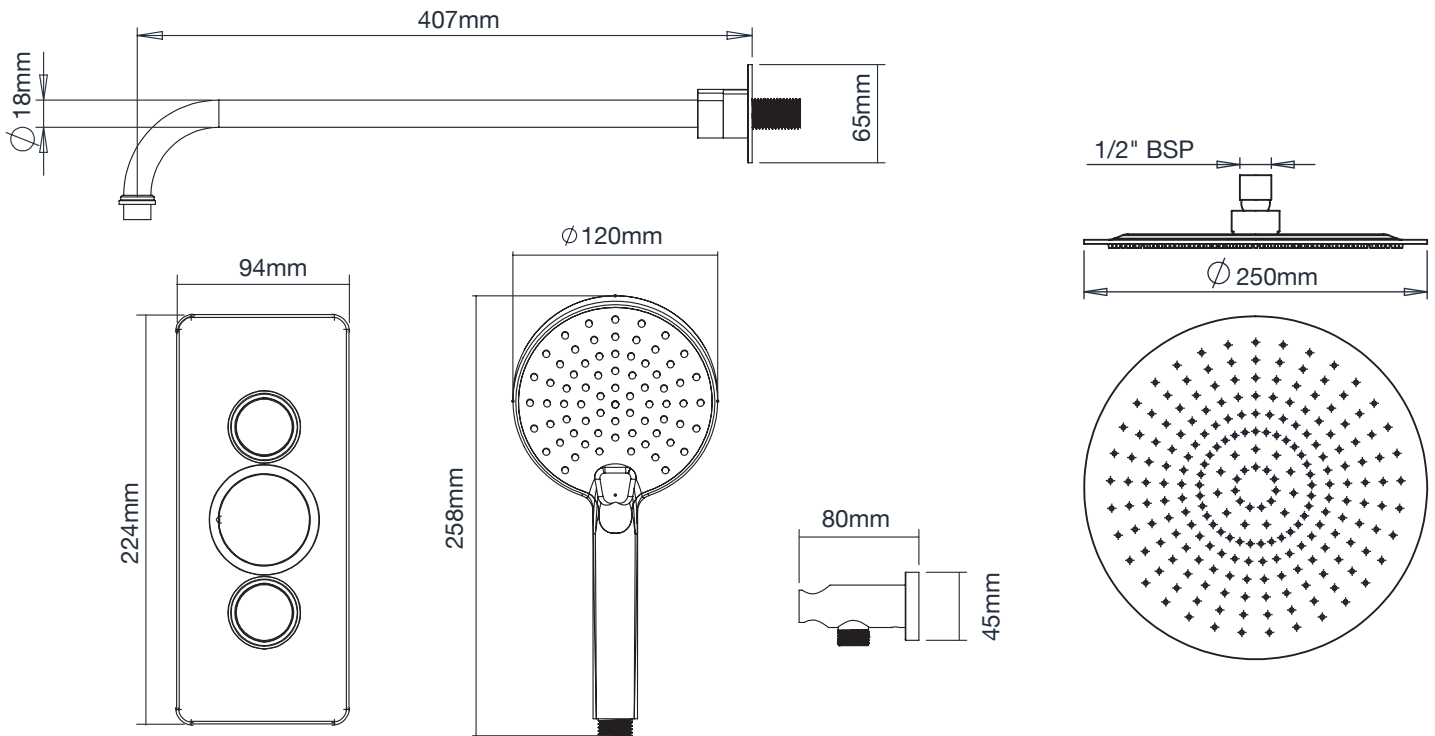


**FLOW RATE DATA IS TESTED UNDER LABORATORY CONDITIONS: ACTUAL FLOW RATE MAY VARY DEPENDING ON DOMESTIC SUPPLY AND ACCESSORIES**

Minimum Pressure:	1 BAR
Pressure:	Flow Rate (l/min)
1 BAR	9.7
2 BAR	14
3 BAR	17
4 BAR	19

## Dimensions

Diagrams not to scale. All dimensions in mm (tolerance of +/-5mm)



## FAQs

**What is the recommended operating pressure?** 1.0bar

**What is the size of the connections?** The valve uses 1/2" connections

**Can the system be mounted vertically and horizontally?** Yes

**Can I have both shower options on at the same time?** Yes

**What size Pipework do I need?** 15mm

**Is it suitable for stud walls?** It is recommended you use CLS size 89mm depth within the wall - see Valve TDS for installation frame dimensions

**Does the valve include isolation points?** Yes

**Can the shower arm adjustable in length?** Yes, the arm can be cut down prior to installation