

Technical Data Sheet

ROPER RHODES®

Recite 2F Concealed shower System Black - SVSET165

No.	Description	Code	Fixings Included
1	Recite 2F Concealed shower System Black	SVSET165	YES

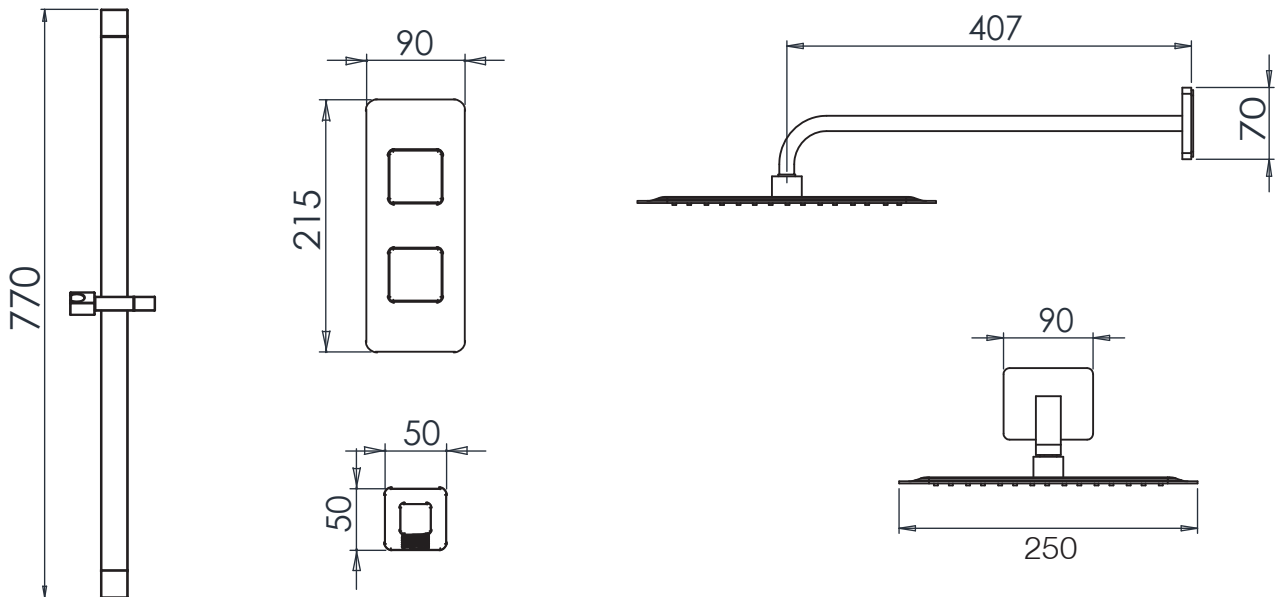


FLOW RATE DATA IS TESTED UNDER LABORATORY CONDITIONS: ACTUAL FLOW RATE MAY VARY DEPENDING ON DOMESTIC SUPPLY AND ACCESSORIES

Minimum Pressure:	1BAR
Inlet Pressure	Flow Rate (l/min)
1bar	11.6
2bar	17
3bar	21

Dimensions - SVSET165

Diagrams not to scale. All dimensions in mm (tolerance of +/-5mm)



FAQs

What is the size of the connections? The valve uses 1/2" connections.

Can I have both shower options on at the same time? Yes

What size Pipework do i need? 15mm

Is it suitable for stud walls? It is recommended you use CLS size 89mm depth within the wall

Does the valve include isolation points? Yes

What is the recommended operating pressure? 1.0bar

Components

Valve - RR19
 Black Shower Plate - SVCOMP16
 Black Valve Handle - SVHANREC.B
 Riser Rail - SVRAIL13
 Handset - SVHEAD51
 Easy Clean PVC shower Hose - SVHOSE04
 Black Wall Elbow - SVACS26
 Fixed Arm - SVARM14
 Stainless Steel Shower Head - SVHEAD50