

ROPER RHODES®

Technical Data Sheet

Keswick Dual Function Concealed Shower System With Bath Spout And Handset Outlet

SVSET180 (Chrome) SVSET182 (Brass)

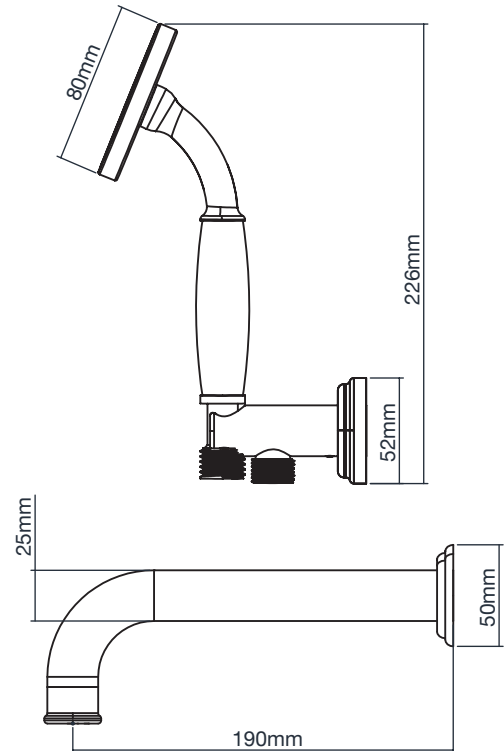
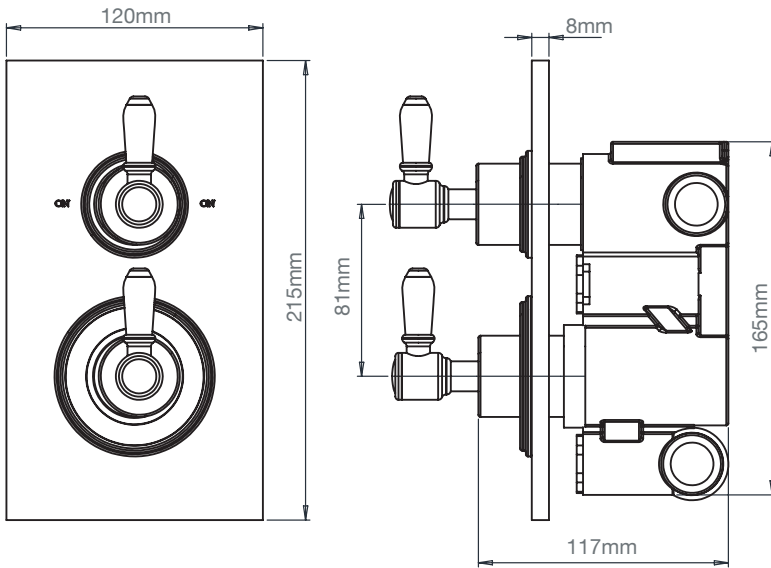


FLOW RATE DATA IS TESTED UNDER LABORATORY CONDITIONS: ACTUAL FLOW RATE MAY VARY DEPENDING ON DOMESTIC SUPPLY AND ACCESSORIES

| Minimum Pressure: | 0.5 BAR |
|-------------------|-------------------|
| Pressure: | Flow Rate (l/min) |
| 0.5 BAR | 8.84 |
| 1 BAR | 12.12 |
| 2 BAR | 17.6 |
| 3 BAR | 18.4 |

Dimensions

Diagrams not to scale. All dimensions in mm (tolerance of +/-5mm)



FAQs

What is the recommended minimum pressure? 0.5Bar

What are the valve inlet/outlet sizes? 3/4" BSP

Whats is the minimum / maximum cavity depth? Minimum 77mm - Maximum 106mm

Can both outlets be used at the same time? No, only one outlet can be selected at once.

What is the length of the hose? 1.5m

What size are the plumbing connections for the outlets? 1/2" BSP