

ROPER RHODES®

Technical Data Sheet

Unity Dual Function Concealed Shower System With Ceiling Head And Handset Outlet

SVSET192 (Chrome) SVSET193 (Black) SVSET194 (Brass)

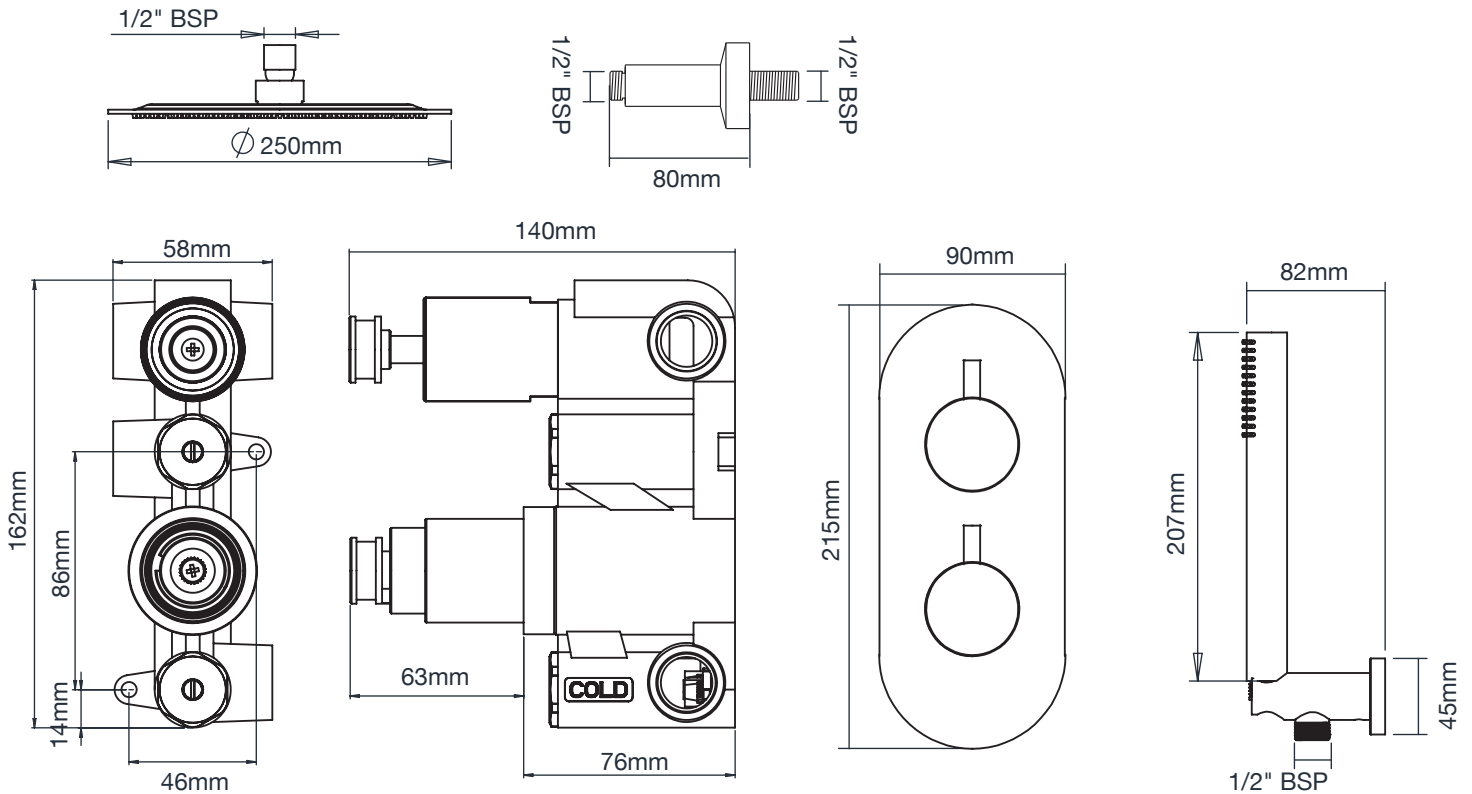


FLOW RATE DATA IS TESTED UNDER LABORATORY CONDITIONS: ACTUAL FLOW RATE MAY VARY DEPENDING ON DOMESTIC SUPPLY AND ACCESSORIES

Minimum Pressure:	0.5 BAR
Pressure:	Flow Rate (l/min)
0.5 BAR	7.6
1 BAR	11.6
2 BAR	17
3 BAR	21

Dimensions

Diagrams not to scale. All dimensions in mm (tolerance of +/-5mm)



FAQs

What is the recommended operating pressure? 0.5 BAR

What is the size of the connections? 1/2" inlets and outlets

What is the minimum cavity depth? 77mm

Can the shower arm length be adjusted? No, the shower arm is fixed at 80mm in length

What is the length of the shower hose? 1.5m