

**Faber Dual Function Shower System With Riser And Head**

SVSET208 (Chrome) SVSET209 (Brushed Nickel) SVSET210 (Brushed Bronze)

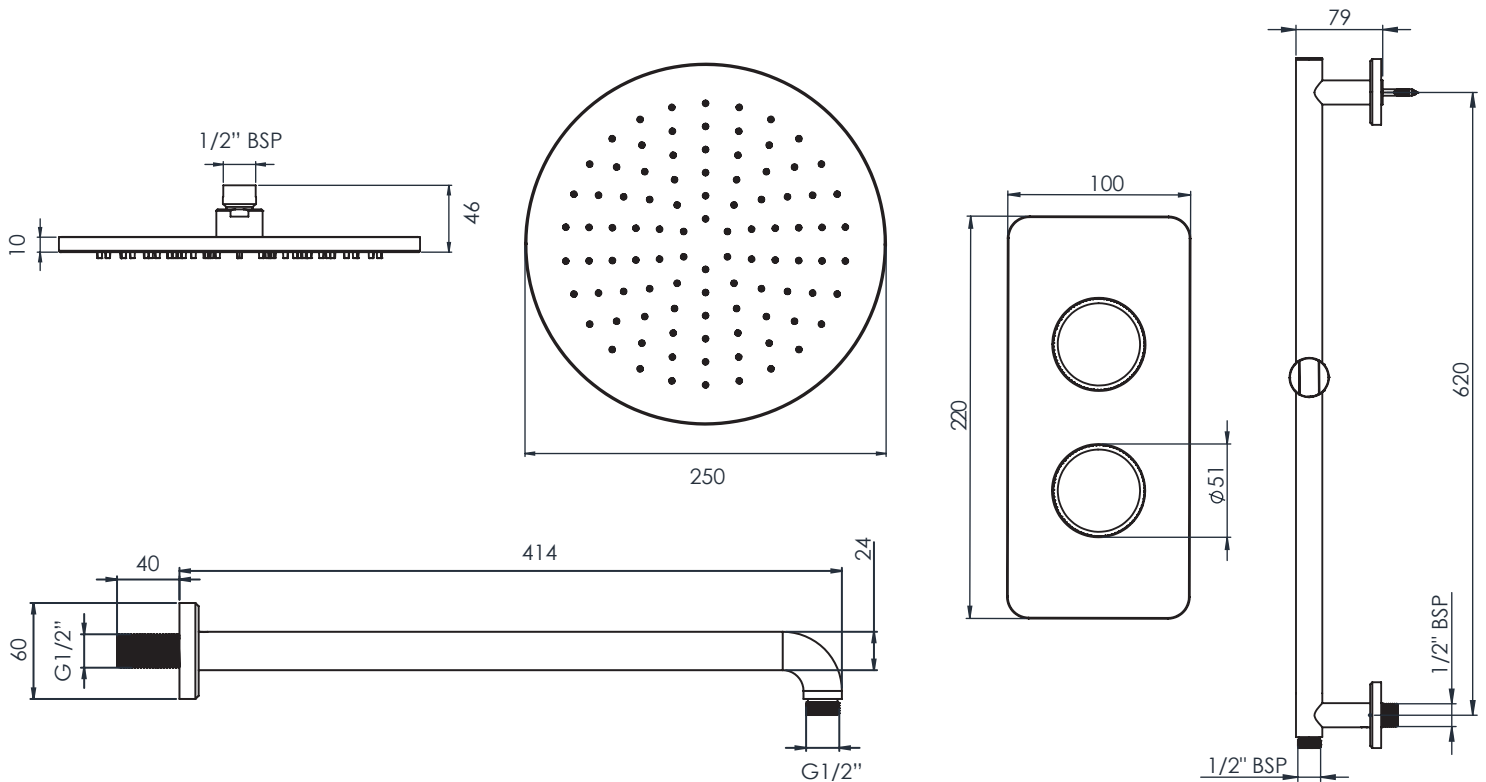


**FLOW RATE DATA IS TESTED UNDER LABORATORY CONDITIONS: ACTUAL FLOW RATE MAY VARY DEPENDING ON DOMESTIC SUPPLY AND ACCESSORIES**

Minimum Pressure:	1 BAR
Pressure:	Flow Rate (l/min)
1 BAR	9.5
2 BAR	13
3 BAR	16

Dimensions

Diagrams not to scale. All dimensions in mm (tolerance of +/-5mm)



For detailed dimensions of the shower valve in this system, see separate shower valve Tech Data Sheet

FAQs

- What are the size of the inlet and outlet connections?** The inlets and outlets on this valve are 3/4"
- What is the minimum recommended operating pressure?** We recommend a minimum of 1BAR pressure from your plumbing supply.
- Does the valve include isolation points?** Yes, this valve has two isolation points on the hot and cold feeds.
- What is the maximum recommended temperature for the valve to be set at?** We recommend no higher than 42 degrees celsius.
- Can this product be mounted vertically or horizontally?** This valve can only be mounted vertically.
- How should I clean this product?** We recommend using only a damp cloth and warm water. Do NOT use abrasive cleaning products.