

# Technical Data Sheet

Wessex Shower Systems

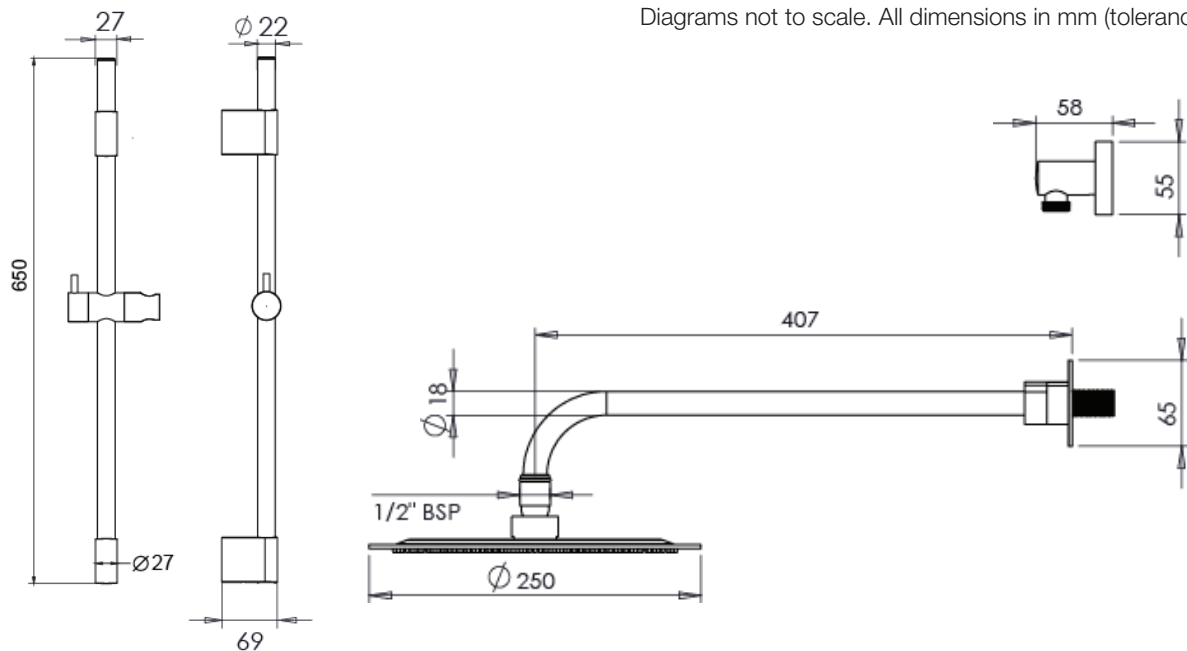
# ROPER RHODES®

No.	Description	Code	Fixings Included
1	Wessex Dual Function Shower System With Fixed Head & Riser Rail	SVSET98	YES



**FLOW RATE DATA IS TESTED UNDER LABORATORY CONDITIONS: ACTUAL FLOW RATE MAY VARY DEPENDING ON DOMESTIC SUPPLY AND ACCESSORIES**

Inlet Pressure	Flow Rate (l/min)
0.5bar	15.91
1bar	22.50
2bar	31.82
3bar	35.00
4bar	45.00
5bar	49.86



Diagrams not to scale. All dimensions in mm (tolerance of +/-5mm)

## FAQs

- What is the rail fixing centres?** 595mm
- How long is the shower hose?** 1.5m
- What is the minimum pressure for the valve?** 0.3bar
- What is the valve connection size?** 1/2"
- What is the diameter of the handset?** 110mm
- What are the dimensions of the Shower Valve?** 102(w) x 214mm(h)

## Components - SVSET98

- Dual Function Thermostatic Shower Valve - SV6606
- 460mm Adjustable Brass Fixed Arm - SVARM01
- 250mm Stainless Steel Shower Head - SVHEAD12
- Air-drive Five Function Shower Handset - SVHEAD29
- Brass Shower Hose - SVHOSE01
- Riser Rail - SVRAIL05
- Outlet Elbow With Shower Handset Holder - SVACS03