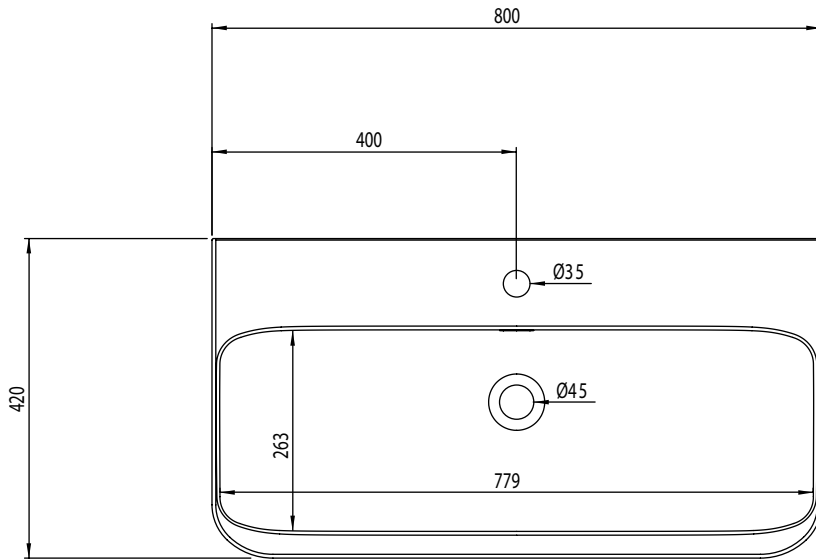


# Technical Data Sheet

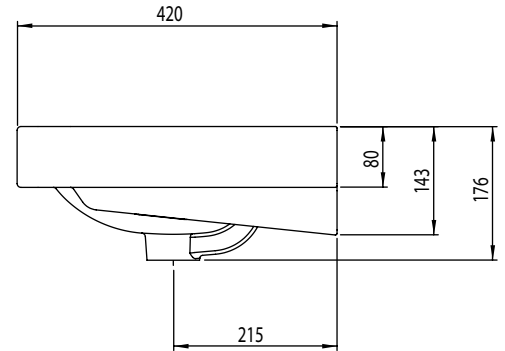
# ROPER RHODES®

## SYSTEM 800mm Ceramic Basin

Whats in the box: 1x SYS800C



Diagrams not to scale  
All dimensions in mm  
tolerance of +/-5mm



\*\*Dimensions are subject to change, customers are advised to measure actual product before commencing installation.

### Materials

Basin: Ceramic

### FAQs

- |   |                                |
|---|--------------------------------|
| Q: What is the maximum water depth of the basin?                | A: 95mm up to the overflow.    |
| Q: What is the distance of the wall fixings?                    | A: N/A                         |
| Q: Whats is the width of the Tapledge?                          | A: The Tapledge is 120mm wide. |
| Q: What is the distance from the Taphole centre to Basin Waste? | A: 155mm                       |
| Q: What is the basin's overflow rating?                         | A: CL20 (12 litres per minute) |