

Please read and follow these instructions carefully and retain for future reference

Before You Start

- The product should only be installed by a suitably qualified / competent / experienced bathroom installer.
- Check the contents of the pack for defects before installation. The supplier will not accept any refitting costs if faulty product has been fitted.
- The furniture should only be installed in a well ventilated bathroom at a distance from bath / showers to avoid splashing. It should also be protected from any shower / handset spray by a shower screen or similar.
- Make sure the unit and basin are secured to a suitably strong / reinforced wall to ensure stability.

CAUTION

- Take care when using power tools near water - the use of a residual current device (RCD) is recommended.
- Beware of hidden pipes or cables.
- Wear suitable eye protection when drilling.
- Take care when drilling tiled surfaces as the drill might slip. We recommend using a piece of masking tape to prevent the drill from wandering.

Aftercare

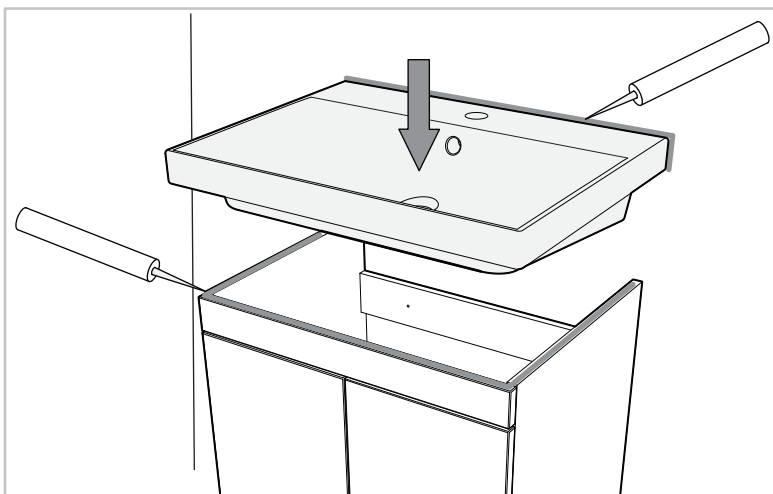
Do ✓

- Wipe away any water splashes or condensation after use. Excessive exposure to water or sitting water will damage the furniture.
- Clean with a soft damp cloth with a mild detergent only. Surface should then be fully dried using a soft lint free cloth.
- A suitable limescale remover can be used on the BASIN ONLY if required but MUST be tested on an inconspicuous area of the basin.

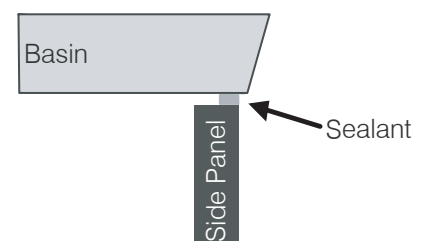
Don't ✗

- Scrub or scour any part of the furniture or basin.
- Use furniture polish.
- Use abrasive or bleaching cleaning agents.
- Allow hot or sharp objects to contact the furniture or basin.

Countertop Basin Fitting Instructions



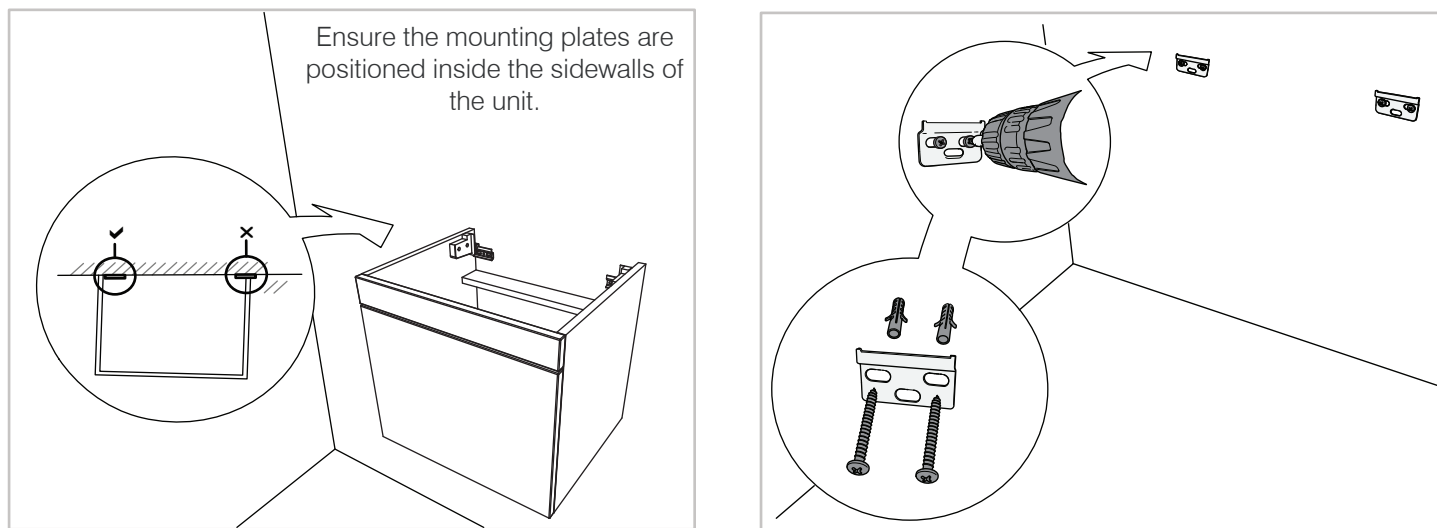
- Once the basin is plumbed in, finish by securing to the washstand or wall with a silicone sealant (not supplied). This creates a water tight seal and prevents damage.
- Ensure silicone / sealant sits on outer edge of furniture to prevent any water pooling, see below diagram for positioning.



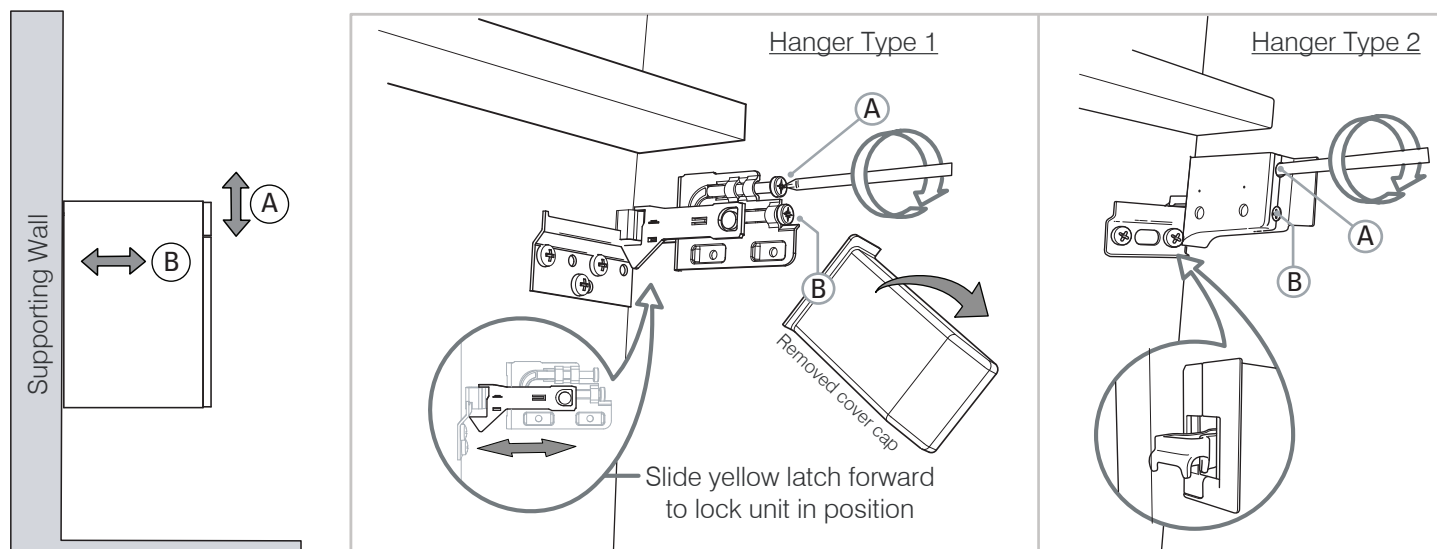
Wall Mounted Installation

For wall hanging units: **WARNING** in order to prevent falling down this product must be used with the wall attachment device provided.

Follow installation and adjustment guide below for wall mounted units:



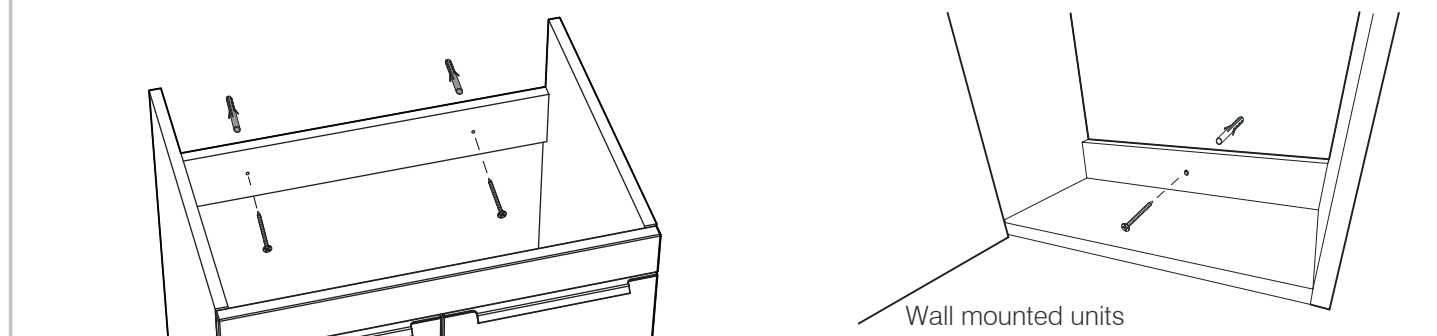
Wall Mounted Adjustment



Fixing Unit to Wall

For floor standing units intended to be attached to the building: **WARNING** in order to prevent overturning this product must be used with the wall attachment device provided.

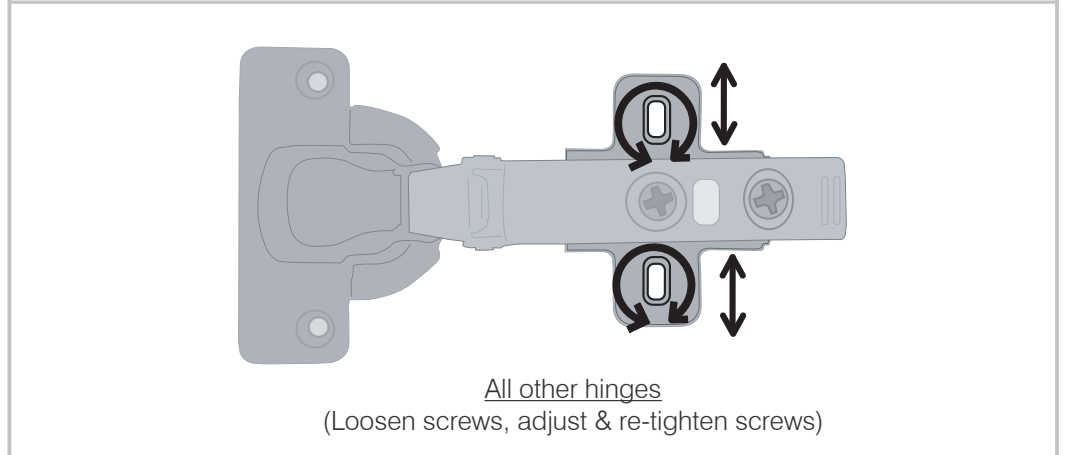
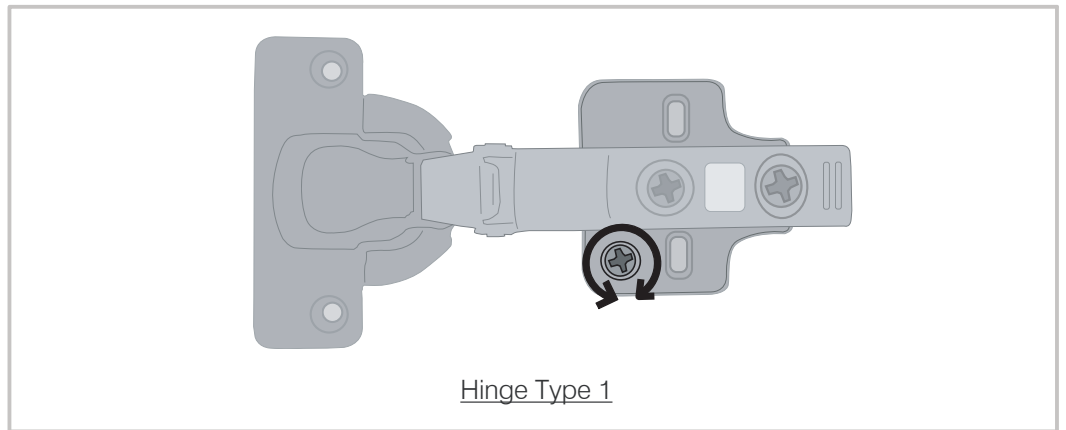
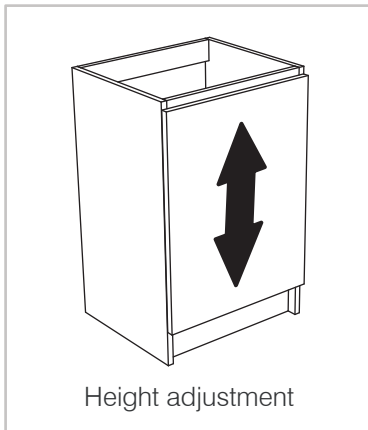
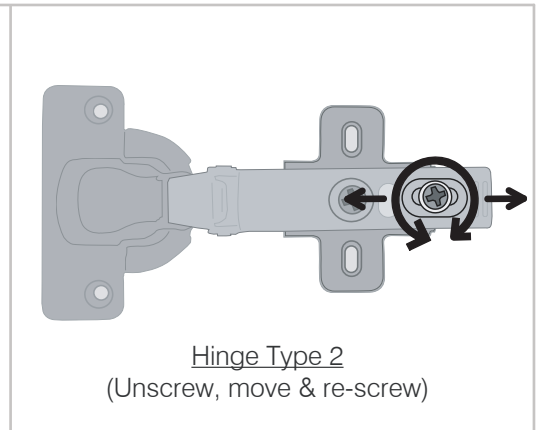
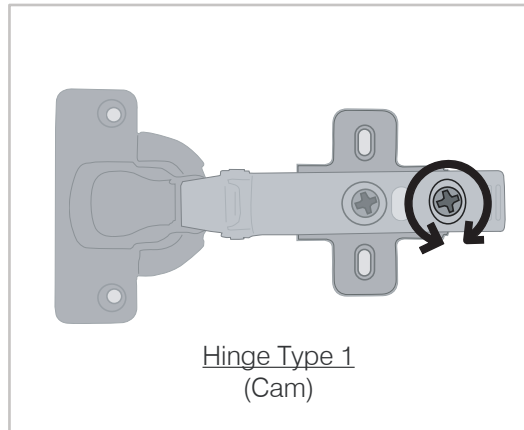
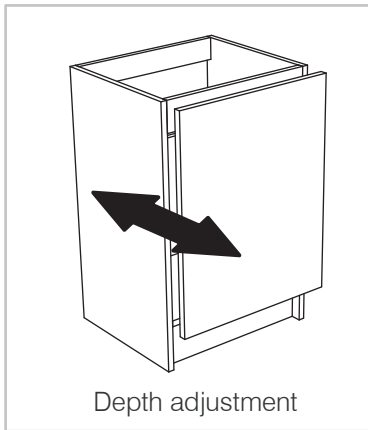
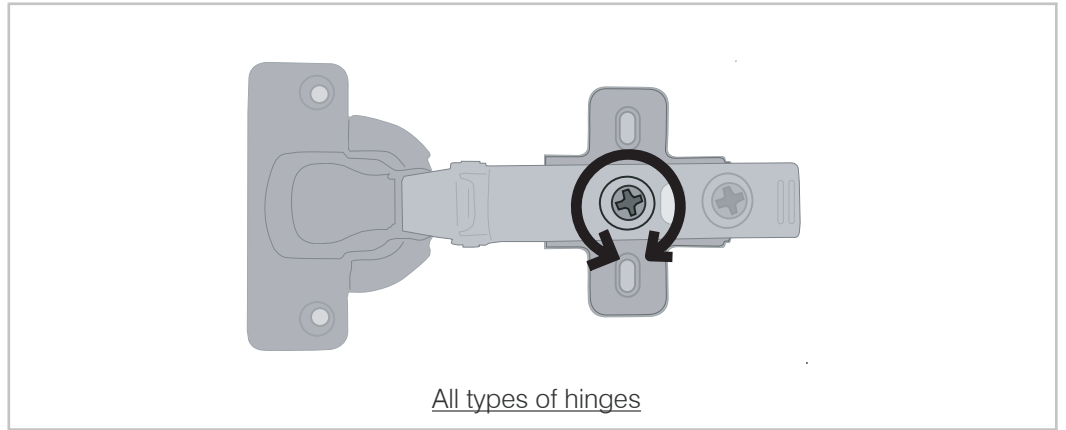
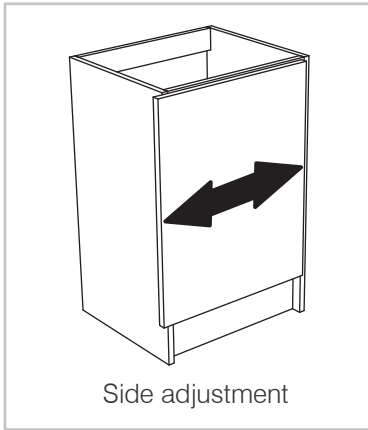
Attach to the wall using suitable fixings. If the wallmounted unit includes lower fixing points – the unit should be additionally secured to the wall via these points using suitable fixings after setting up hanging devices.



Door Hinge Adjustment

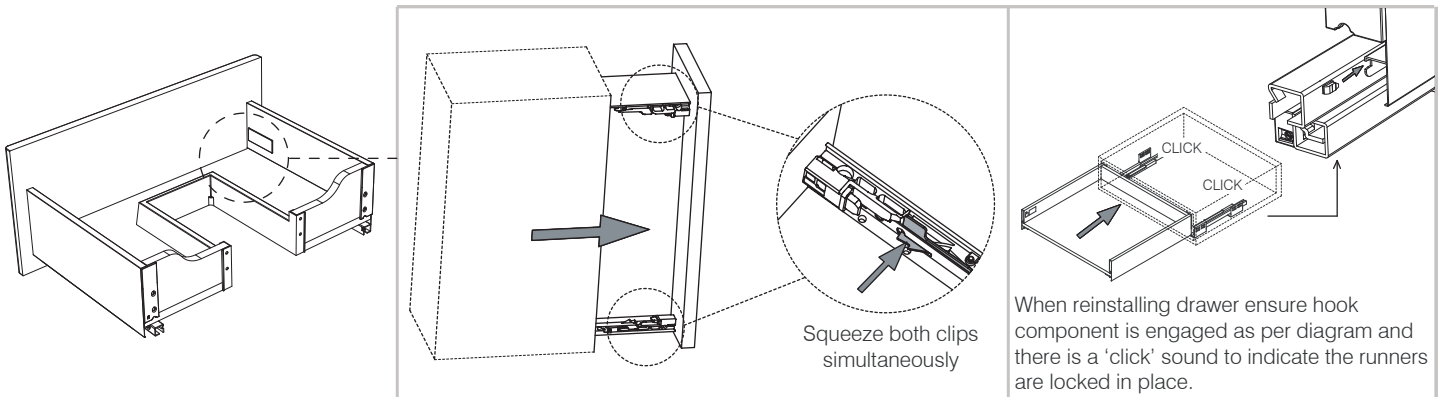
ROPER RHODES®

Follow adjustment guide below for door hinges, ensuring correct type is selected:

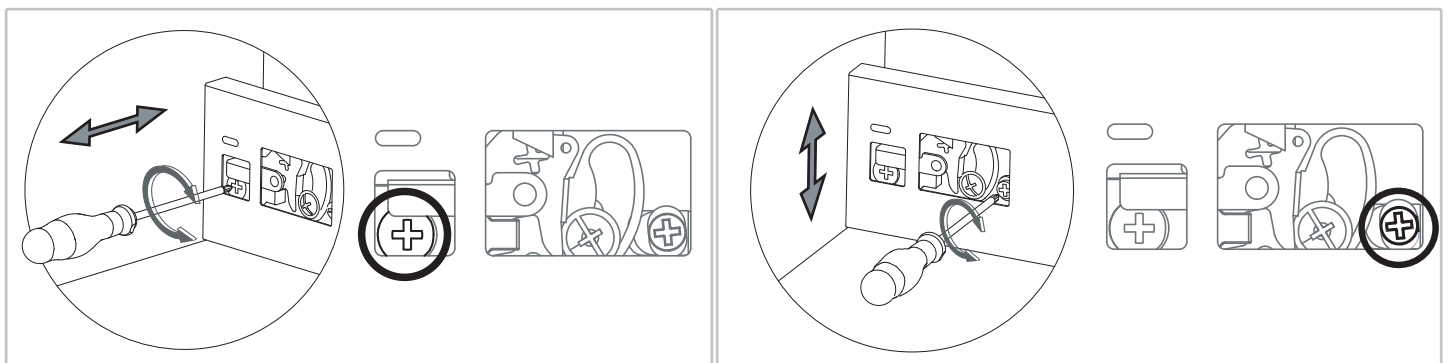
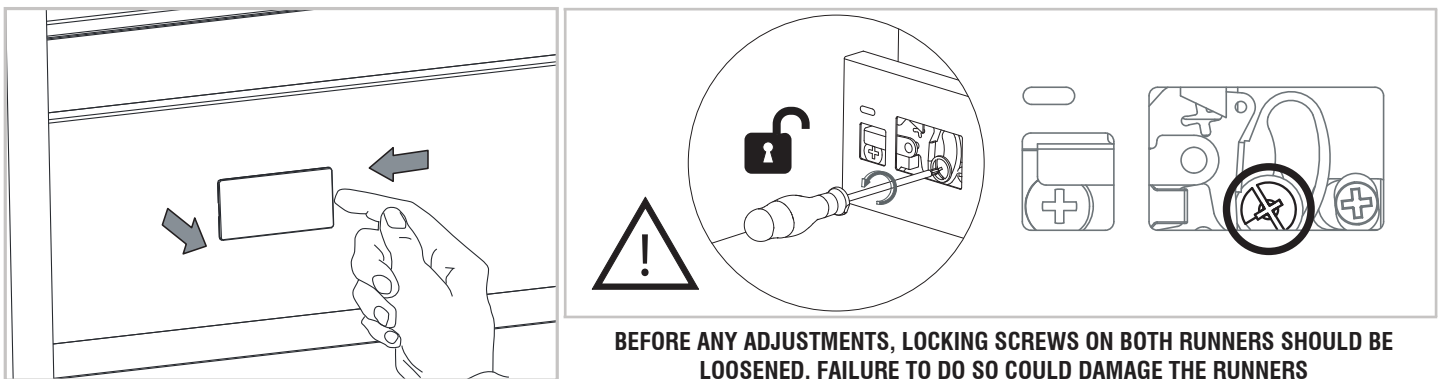


Drawer Type One

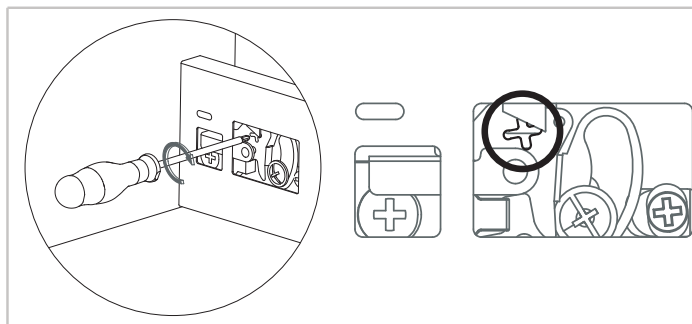
Removing Drawer



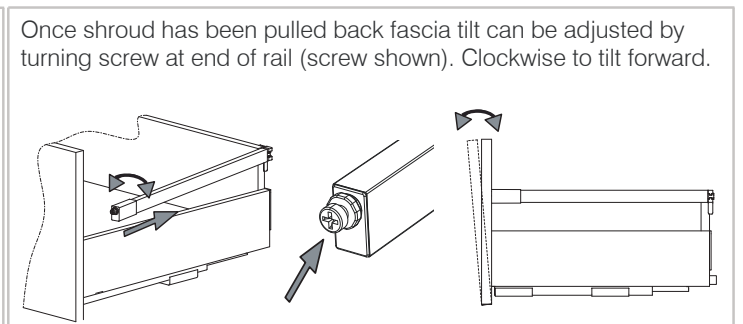
Drawer Front Adjustment



Removing Fascia



Support Rail Adjustment



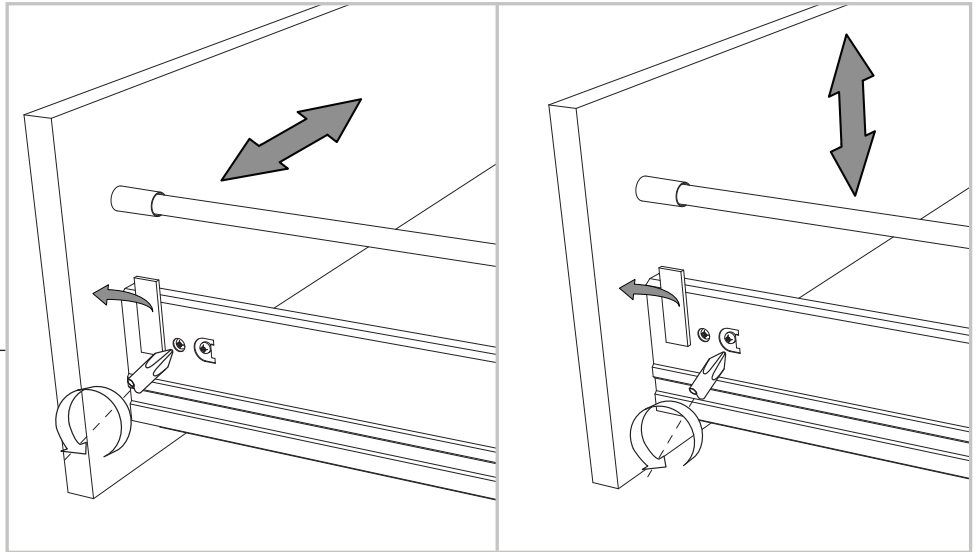
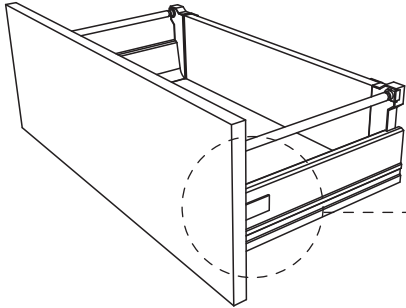
ONCE ALL ADJUSTMENTS MADE - RE-TIGHTEN LOCKING SCREWS AND REPLACE COVER CAPS

For additional instruction on drawer adjustment follow QR code link

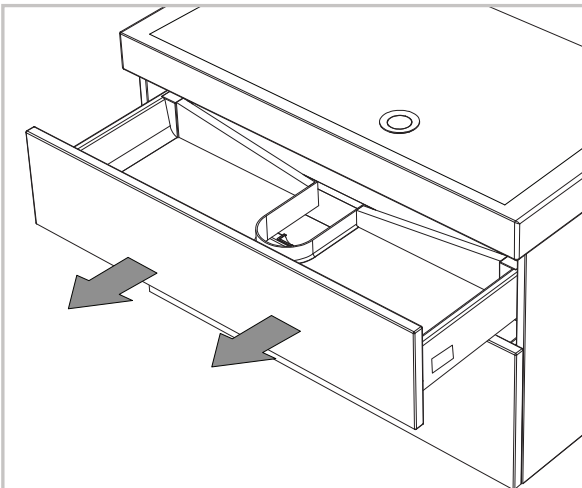


Drawer Type Two

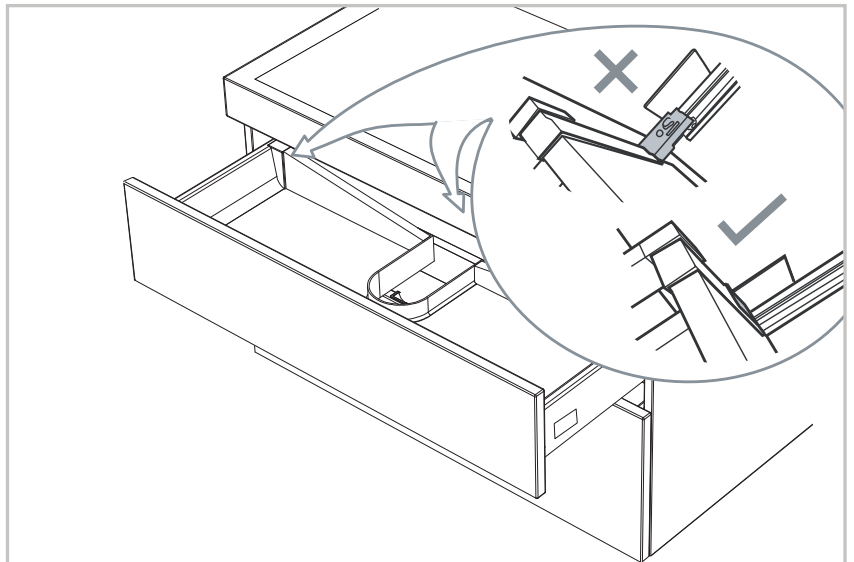
Drawer Fascia Adjustment



Removing Drawer

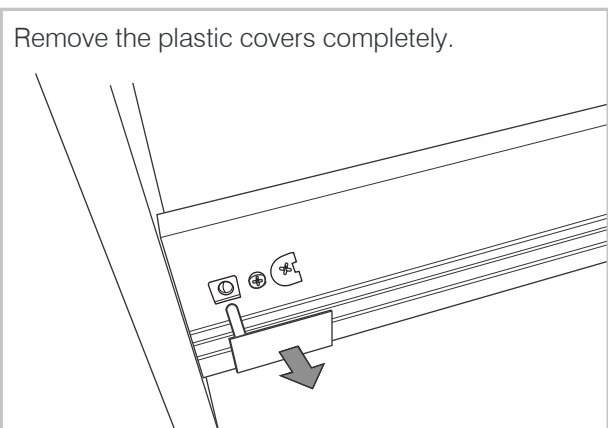


While supporting both the front and back of the drawer, pull the drawer forwards with a short sharp pull until it is fully removed from the runners.

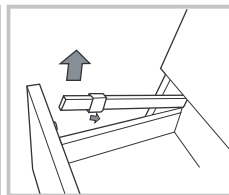


Click drawer back in position to ensure correct engagement. Drawer mechanism at back of drawer is flush and not protruding.

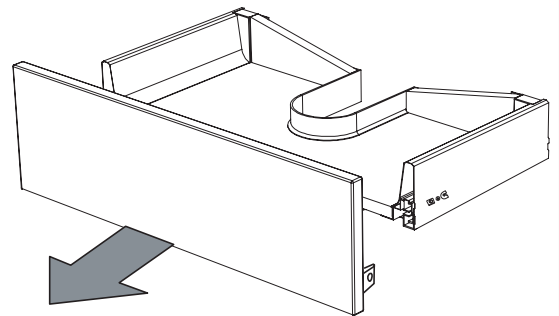
Removing Fascia



Remove the plastic covers completely.

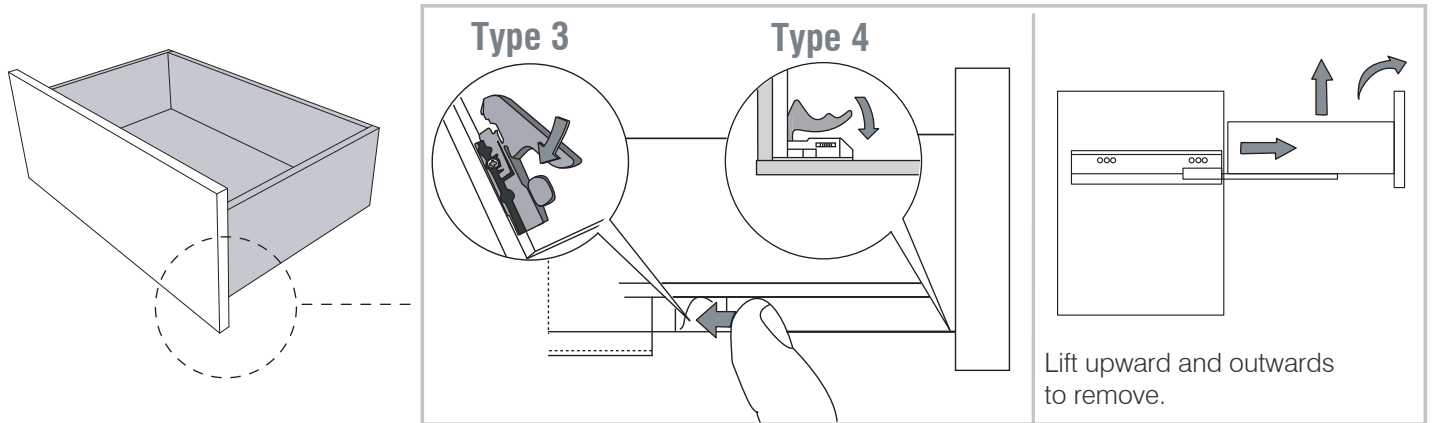


If present, release support rail connection.

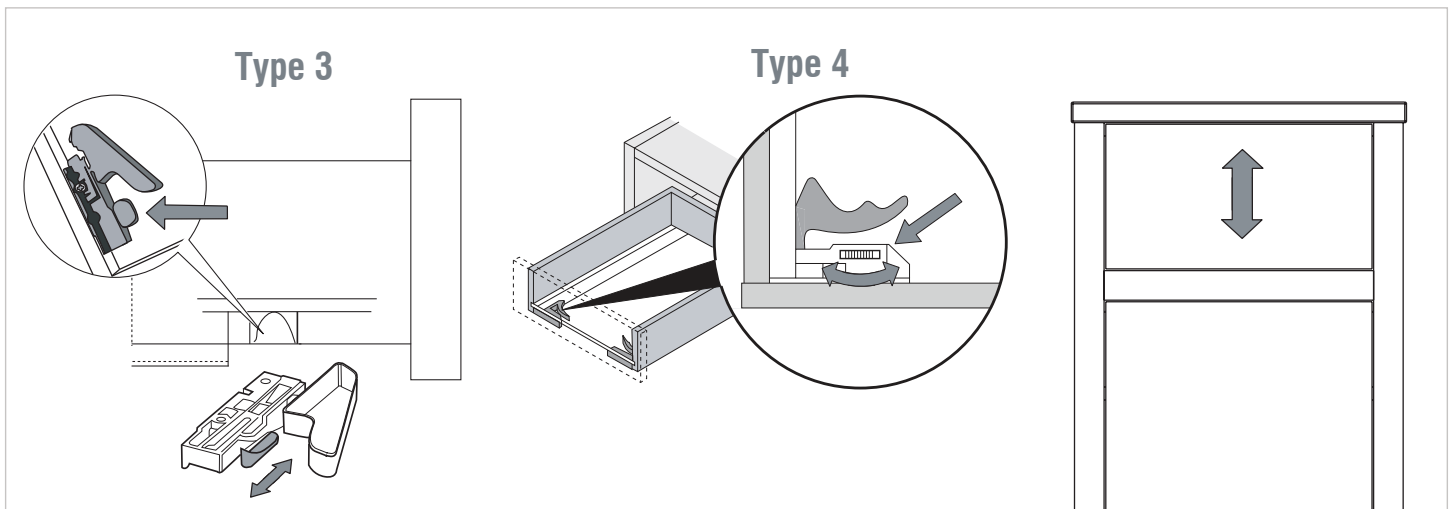


Drawer Type Three & Four

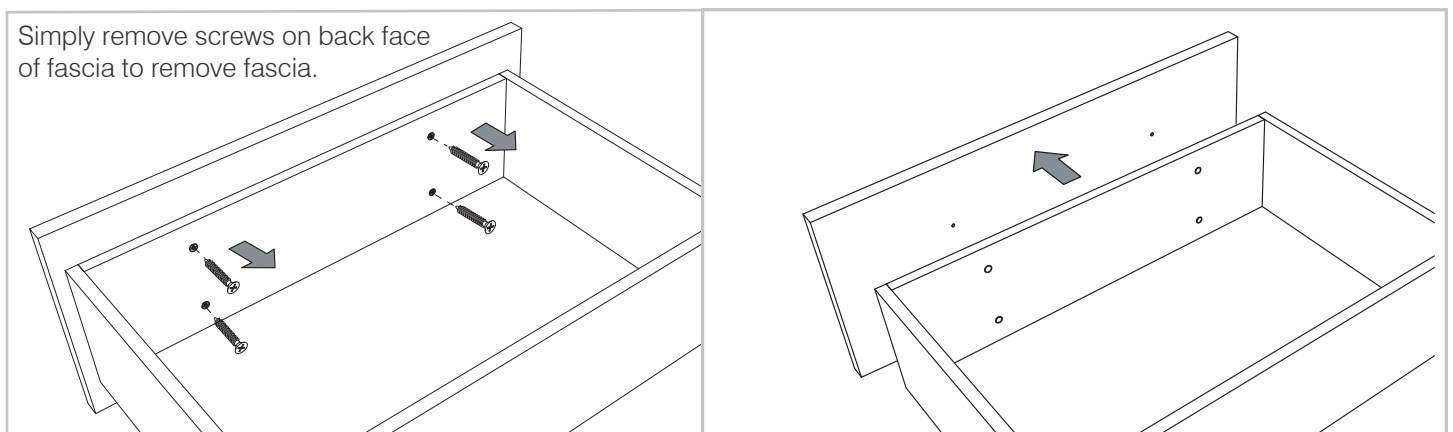
Removing Drawer



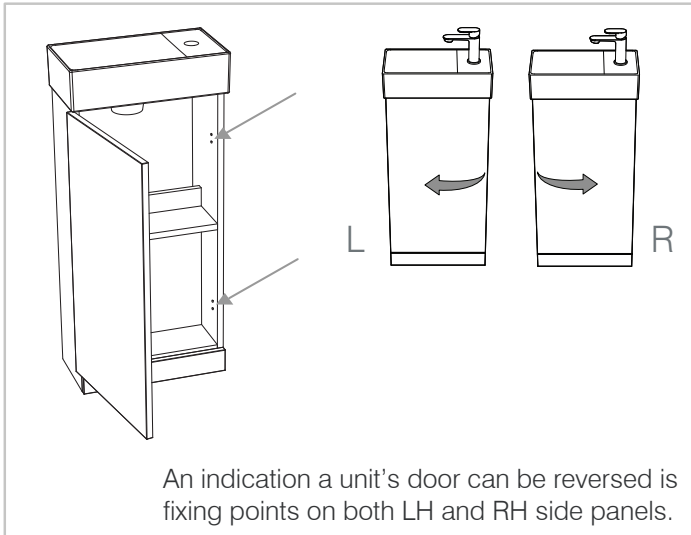
Drawer Fascia Adjustment



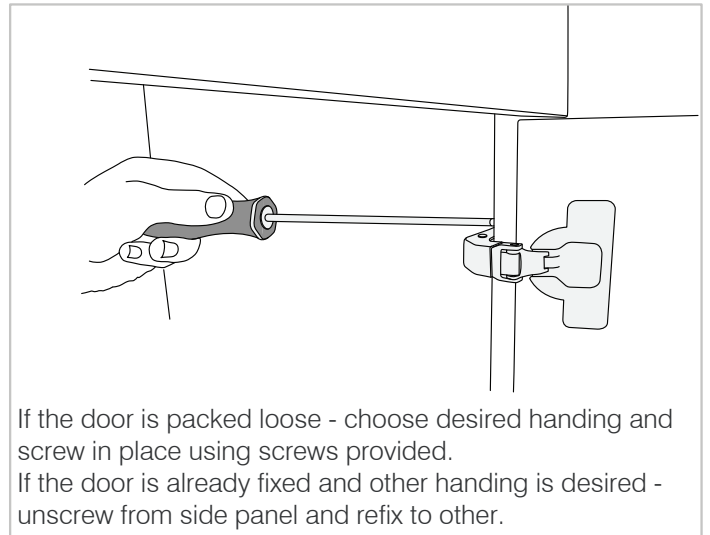
Removing Fascia (Type 3 only)



Some units have the added feature of door reversing to suit installation location.



An indication a unit's door can be reversed is fixing points on both LH and RH side panels.



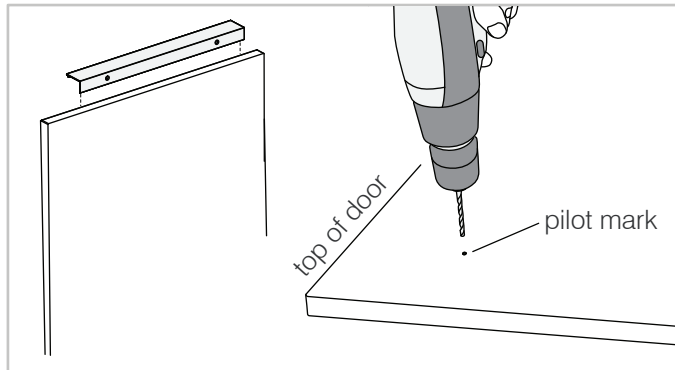
If the door is packed loose - choose desired handing and screw in place using screws provided.
If the door is already fixed and other handing is desired - unscrew from side panel and refix to other.

Handle Installation

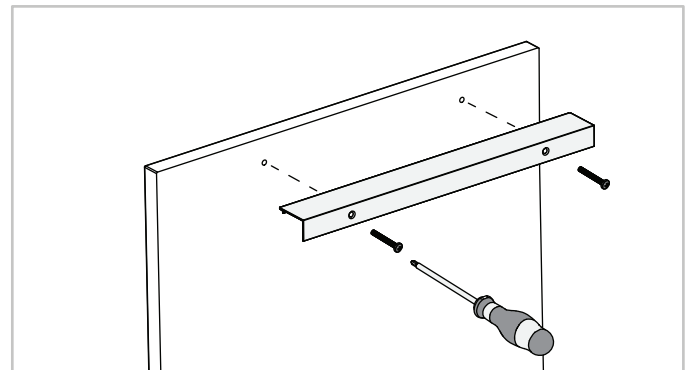
If fascia does not have pre-installed handles or pre-drilled handles holes follow below instructions for handle installation.

ON REVERSIBLE DOORS - Please double check handle drilling location after handing is chosen so that handle is at the top of the door.

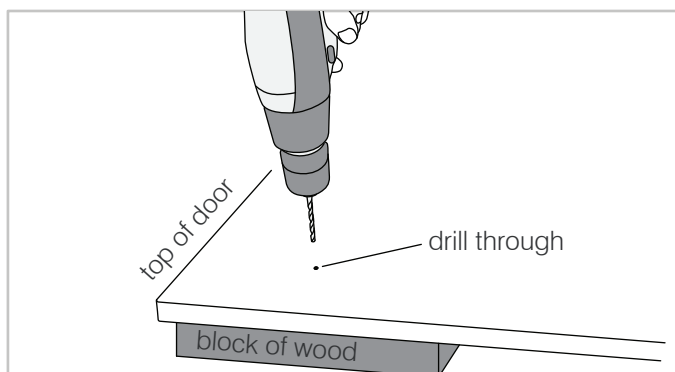
Top Mounted Handles



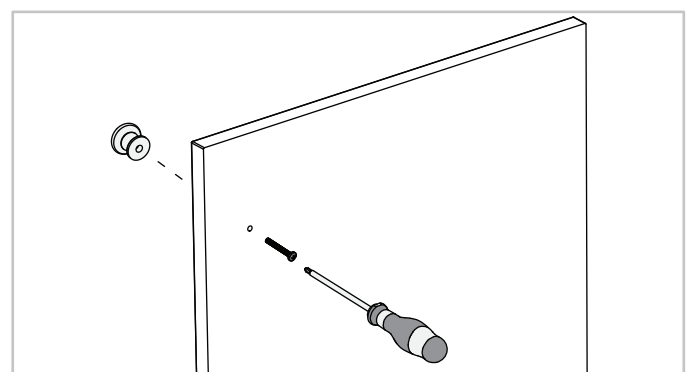
Place chosen handle onto top edge of fascia panel.



Surface Mounted Handles

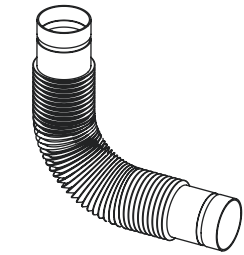


Block of wood or similar prevents breakout of the finish on the other side of the panel

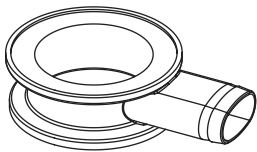


External Overflow Fitting (Isocast basins only) ROPER RHODES®

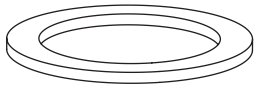
Follow below diagrams to install external overflow kit to isocast basins.
All components provided in kit are listed below:



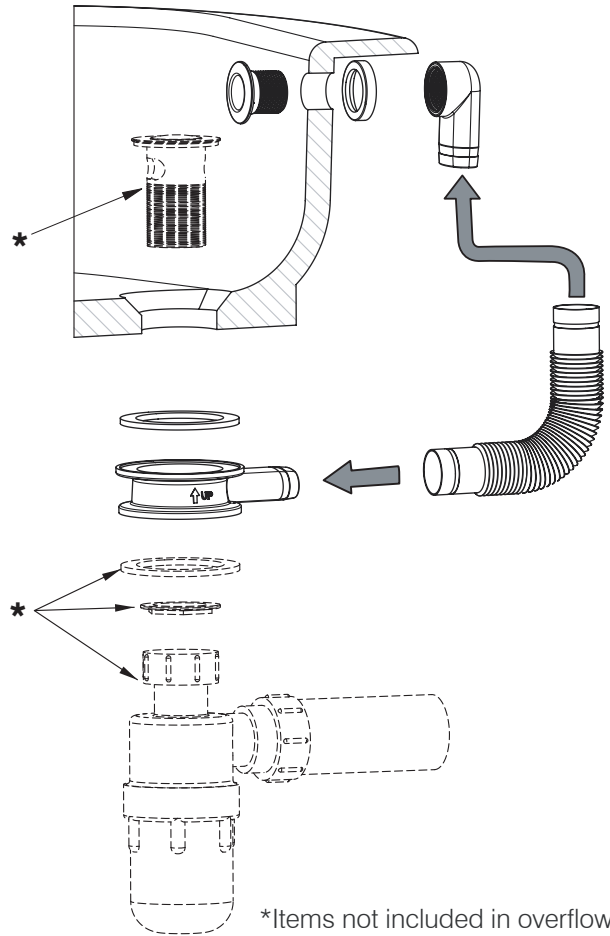
1. Flexible hose



2. Overflow adapter/ spacer



3. Gasket (1 Qty.)



Installation note

Ensure overflow tube is installed with only one bend and that the bend isn't below the basin waste level.

