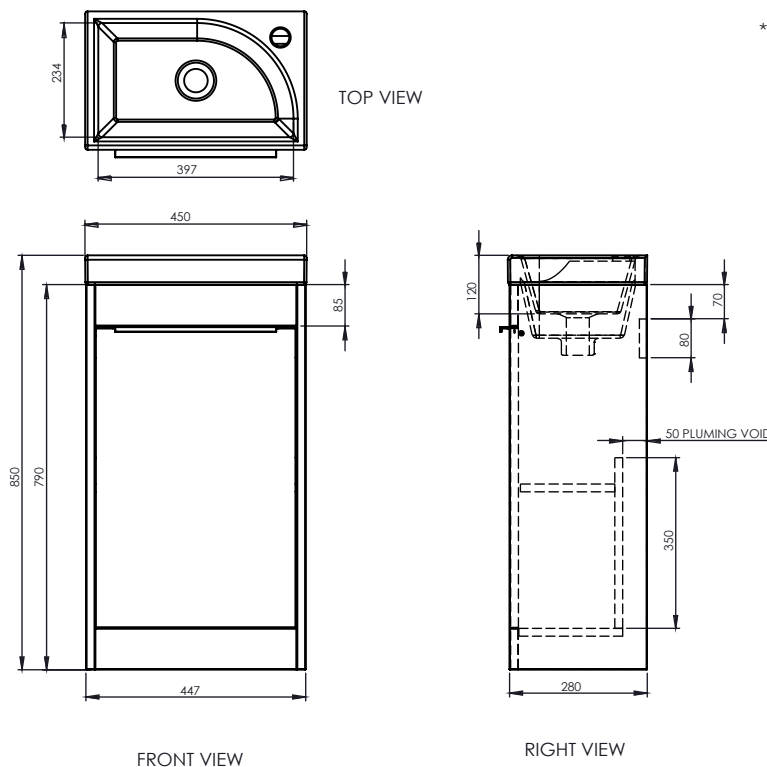


Technical Data Sheet

Sequence 450mm Floor Mounted Unit

Whats in the box: 1x SQ450X + Handle/ Fixings

TAVISTOCK
inspiring bathrooms



*Reference basin TDS for further info

Diagrams not to scale
All dimensions in mm
tolerance of +/-5mm

Materials

Carcass: 18mm Painted MDF

Fascia Components: 18mm Painted MDF

**Dimensions are subject to change, customers are advised to measure actual product before commencing installation.

***Fixing point dimensions are for guidance only/the positions of wall fixing must be checked when product is received.

Extra Dimensions

Internal Door Section Depth - Front to Back:	192mm
Fascia Height:	85mm
Internal Height Limit:	270mm

FAQs

Q: How big is the plumbing void?	A: 50mm
Q: Are the handles fitted?	A: Yes, harpooned in position.
Q: How deep is the unit when the drawers are fully open?	A: Approx. 690mm including handle.
Q: Can the doors be adjusted?	A: The doors can be adjusted as detailed in the supplied instructions.
Q: What is the interior finish of the unit?	A: The unit interior dark grey on all finishes other than white. White finish has MDF white internals.

NOTE: Colours unique to Tavistock - No RAL Code available