

# TECHNICAL DATA SHEET

## Serenity Cloakroom Basin - SN420SB

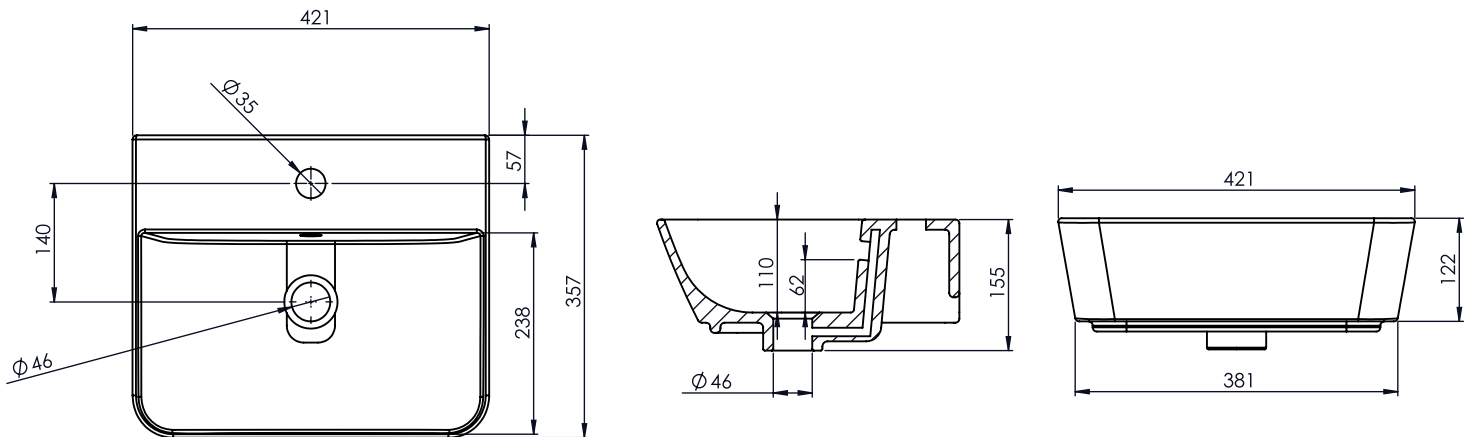
R2

NO.	Description	Product Code	Fixings included	Gross Weight
1	Serenity 420 Basin	SN420SB	NO	11 KG



### DIMENSIONS

DIAGRAMS NOT TO SCALE | ALL DIMENSIONS IN MM TOLERANCE OF  $\pm 5$ MM  
ALL PRODUCTS CONFORM TO BRITISH STANDARDS



\*Dimensions are subject to change, customers are advised to measure actual product before commencing installation.  
\*\*Fixing point dimensions are for guidance only. The positions of fixings must be checked when product is received.

### FAQs

Q - What is the maximum water depth of the basin?  
A - 62mm up to the overflow.

Q - Can this basin be wall hung?  
A - Yes.

Q - Can this basin be mounted using a semi-pedestal?  
A - Yes, use code SNSMP.

Q - How thick is the basin edge/rim?  
A - 14mm

Q - Does the basin have an integral overflow?  
A - Yes

Key Dimensions Descriptions	Key Dimensions (mm)
Internal Bowl Depth	110mm
Internal Bowl Front to Back	238mm
Internal Bowl Left to Right	400mm
Tap Ledge	119mm
Taphole Centre to Waste Centre	140mm
Taphole Centre to Back of Basin	57mm
Waste Centre to Back of Basin	197mm
Width of Rear Basin	420mm
Basin Depth	155mm
Fixing Slots (centre to centre)	190mm