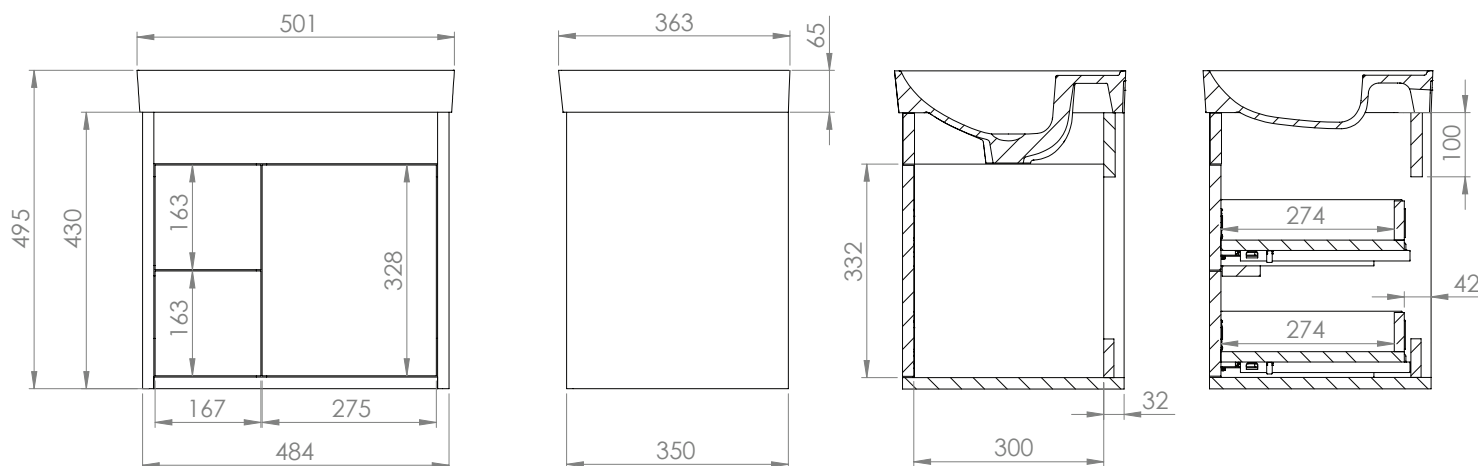


Technical Data Sheet

SERENITY 500mm Wall Mounted Unit

What's in the box: 1x SN5018-XX + Fixings

R2



Diagrams not to scale
All dimensions in mm
Tolerance of +/-5mm

Materials

Carcass: 18mm - 16mm Painted/ PVC MDF
Fascia Components: 18mm Painted/ PVC MDF

**Dimensions are subject to change, customers are advised to measure actual product before commencing installation.

***Fixing point dimensions are for guidance only/the positions of wall fixing must be checked when product is received

FAQs

- | | |
|---|--|
| Q: How big is the plumbing void? | A: No plumbing void, open back to receive pipework straight from wall. |
| Q: Are the handles fitted? | A: No, handles need fixing. |
| Q: Are the hinges soft close? | A: The hinges are both soft close and quick release. |
| Q: Are the runners soft close? | A: The runners are soft close and quick release. |
| Q: Can the doors be adjusted? | A: The doors can be adjusted as detailed in the supplied instructions. |
| Q: Can the drawers be adjusted? | A: The drawers can be adjusted as detailed in the supplied instructions. |
| Q: How deep is the unit with doors open? | A: Approx. 610mm at 90°. |
| Q: What is the base capacity? | A: Base max depth: 300mm. |
| Q: How many shelves are there? | A: There is only a base within the unit. |
| Q: What is the interior finish of the unit? | A: The unit interior is dark grey. |

NOTE: Colours unique to R2 - No RAL Code available