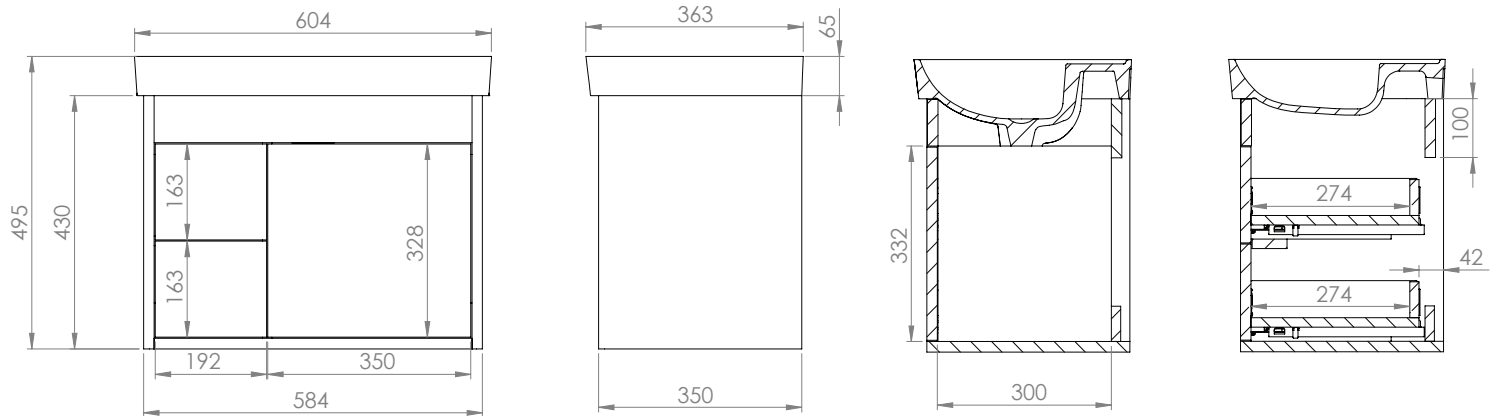


# Technical Data Sheet

## SERENITY 600mm Wall Mounted Unit

What's in the box: 1x SN6018-XX + Fixings

# R2



Diagrams not to scale  
All dimensions in mm  
Tolerance of +/-5mm

### Materials

Carcass: 18mm - 16mm Painted/ PVC MDF  
Fascia Components: 18mm Painted/ PVC MDF

\*\*Dimensions are subject to change, customers are advised to measure actual product before commencing installation.

\*\*\*Fixing point dimensions are for guidance only/the positions of wall fixing must be checked when product is received

### FAQs

- |                                             |                                                                         |
|---------------------------------------------|-------------------------------------------------------------------------|
| Q: How big is the plumbing void?            | A: No plumbing void, open back to receive pipework straight from wall.  |
| Q: Are the handles fitted?                  | A: No, handles need fixing.                                             |
| Q: Are the hinges soft close?               | A: The hinges are both soft close and quick release.                    |
| Q: Are the runners soft close?              | A: The runners are soft close and quick release.                        |
| Q: Can the doors be adjusted?               | A: The doors can be adjusted as detailed in the supplied instructions.  |
| Q: Can the drawers be adjusted?             | A: The drawers can be adjusted as detailed in the supplied instructions |
| Q: How deep is the unit with doors open?    | A: Approx. 680mm at 90°.                                                |
| Q: What is the base capacity?               | A: Base max depth: 300mm.                                               |
| Q: How many shelves are there?              | A: Zero shelves.                                                        |
| Q: What is the interior finish of the unit? | A: The unit interior finish of the unit is dark grey.                   |

NOTE: Colours unique to R2 - No RAL Code available