

# TECHNICAL DATA SHEET

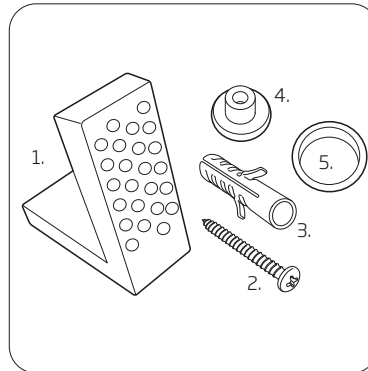
## Serenity Comfort Height Closed Coupled Open Back WC

R2

NO.	Description	Product Code	Fixings included	Gross Weight
1	Close Coupled Cistern	SN63CCC	YES	13.5KG
2	Soft Close Toilet Seat	SNSCTS	YES	2.7KG
3	Comfort Open Back WC	SN620CHP	YES	35KG



### Floor Fixings

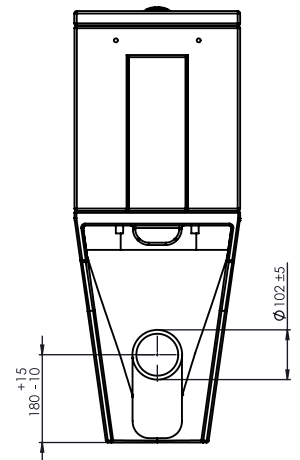
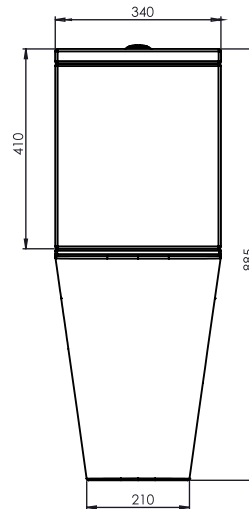
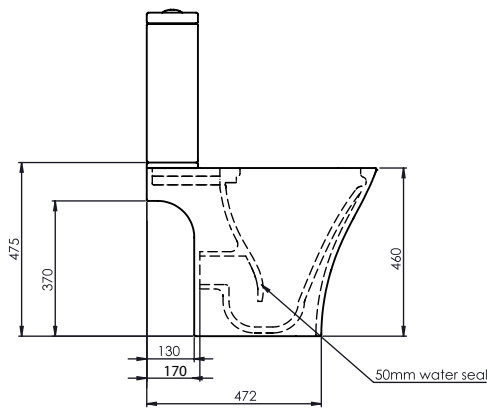
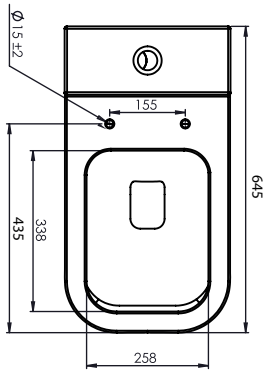


- 1. 2x Nylon Floor Bracket
- 2. 4x Stainless Steel Screws
- 3. 2x Nylon Screw Plugs
- 4. 2x Nylon Screw Collars
- 5. 2x Nylon Collar Caps (Metalic Finish)

Spare Code: SP14211

## DIMENSIONS

DIAGRAMS NOT TO SCALE | ALL DIMENSIONS IN MM TOLERANCE OF ± 5MM



\*Dimensions are subject to change, customers are advised to measure actual product before commencing installation.

\*\*Fixing point dimensions are for guidance only. The positions of fixings must be checked when product is received.

## FAQs

Q - Where is the inlet valve?  
A - Bottom inlet, back right of the pan.

Q - What is the flush volume?  
A - 6/4L

Q - Can this pan be used with a side connection outlet pipe?  
A - Yes.

Q - Are there any other compatible seats?  
A - Yes, SNSLSCTS for a slim seat option

Key Dimensions Descriptions	Key Dimensions (mm)
Front to Back Footprint	472mm
Left to Right Footprint	210mm
Bowl Front to Back	338mm
Bowl Left to Right	258mm
Pan Height	460mm
Pan Overall Front to Back	645mm
Centre Waste Outlet to Floor	180mm
Width of Void	180mm
Is there a Ceramic Brace Bar	No
Distance from Spigot to back of Pan	170mm