

TECHNICAL DATA SHEET

Serenity Soft Close Slim Toilet Seat - SNSLSCTS

R2

NO.	Description	Product Code	Fixings included	Gross Weight
1	Soft Close Slim Toilet Seat	SNSLSCTS	YES	2.4KG

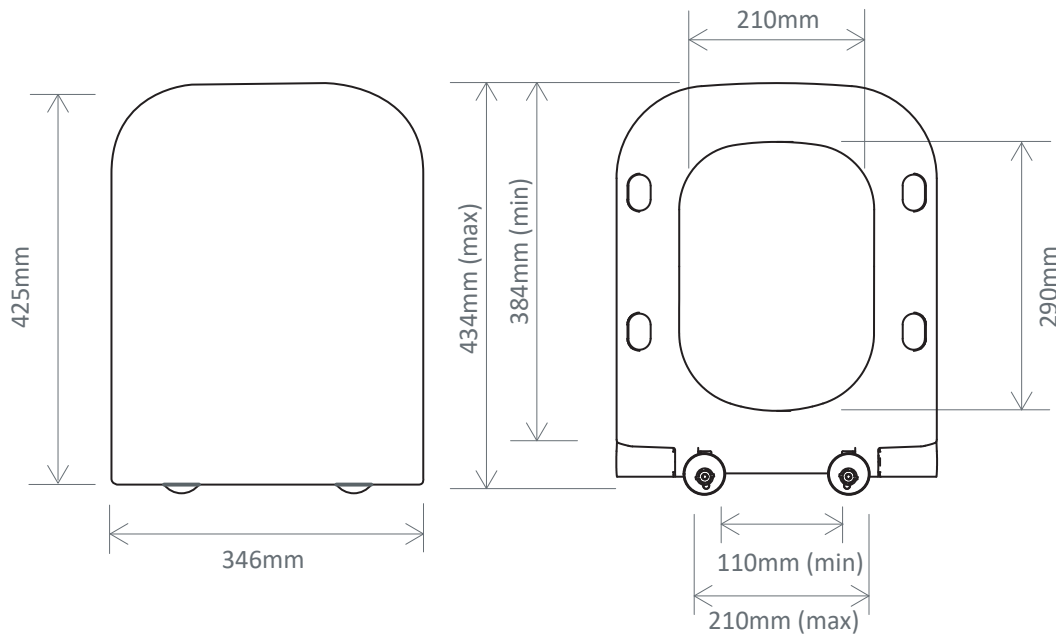


Spares Codes:

- Serenity Slim Hinge Fixing Kit - SP18113
- Serenity Slim Lid Buffer Pk - SP17015
- Serenity Slim Seat Damper Set - SP17017

DIMENSIONS

DIAGRAMS NOT TO SCALE | ALL DIMENSIONS IN MM TOLERANCE OF ± 5 MM
ALL PRODUCTS CONFORM TO BRITISH STANDARDS



*Dimensions are subject to change, customers are advised to measure actual product before commencing installation.

FAQs

Q - What's the maximum test load of the seat?
A - 150kg

Q - What are the fixings made from?
A - Stainless Steel Cover Plates/Screws, Nylon Anchor Plates, Rubber Washers, Rubber Fixing Plugs.

Key Dimensions Descriptions	Key Dimensions (mm)
Seat/Lid Front to Back	425mm
Seat/Lid Left to Right	346mm
Ring Hole Front to Back	290mm
Ring Hole Left to Right	210mm
Seat Overall Thickness	51mm
Width of Back of Seat	346mm