

TECHNICAL DATA SHEET

Serenity SCT STD Depth Basin - DC14002

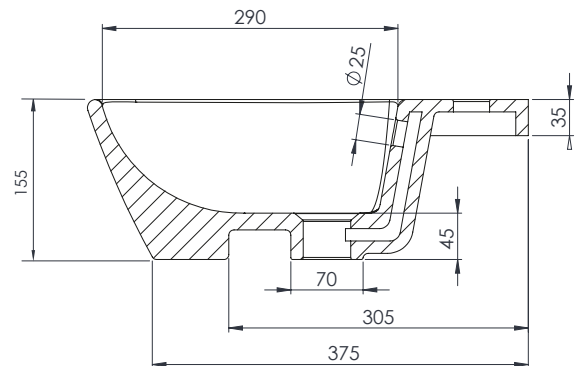
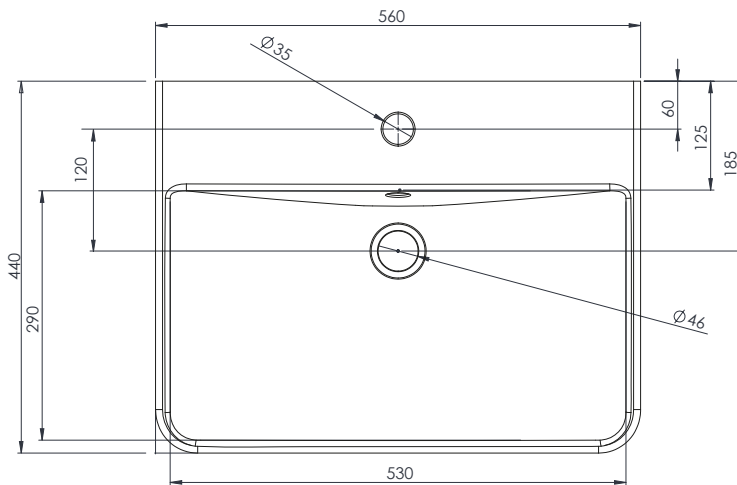
R2

NO.	Description	Product Code	Template included	Gross Weight
1	Semi Recess Basin - Standard Depth	DC14002	YES	17.25KG



DIMENSIONS

DIAGRAMS NOT TO SCALE | ALL DIMENSIONS IN MM TOLERANCE OF ± 5 MM
ALL PRODUCTS CONFORM TO BRITISH STANDARDS



*Dimensions are subject to change, customers are advised to measure actual product before commencing installation.
**Fixing point dimensions are for guidance only. The positions of fixings must be checked when product is received.

FAQs

- Q - Is a fitting template supplied?
A - Yes : Questions on cutting dimensions can be found on the template.
- Q - How is the basin fixed to the furniture?
A - Fix to workspace with silicone as per instructions supplied.

Key Dimensions Descriptions	Key Dimensions (mm)
Internal Bowl Depth	110mm
Internal Bowl Front to Back	290mm
Internal Bowl Left to Right	520mm
Tap Ledge	125mm
Taphole Centre to Waste Centre	135mm
Taphole Centre to Back of Basin	60mm
Waste Centre to Back of Basin	185mm
Height of Basin	130mm
Basin Overhang	135mm