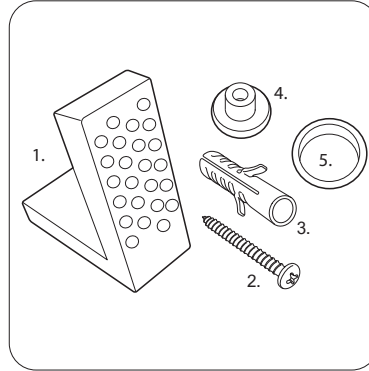


TECHNICAL DATA SHEET

Serenity BTW Pan - SN490BTW

R2

NO.	Description	Product Code	Fixings included	Gross Weight	Net Weight
1	Soft Close Wrap Over Seat	SNSCTS	YES	2.7KG	N/A
2	BTW Pan	SN490BTW	YES	28.75KG	N/A

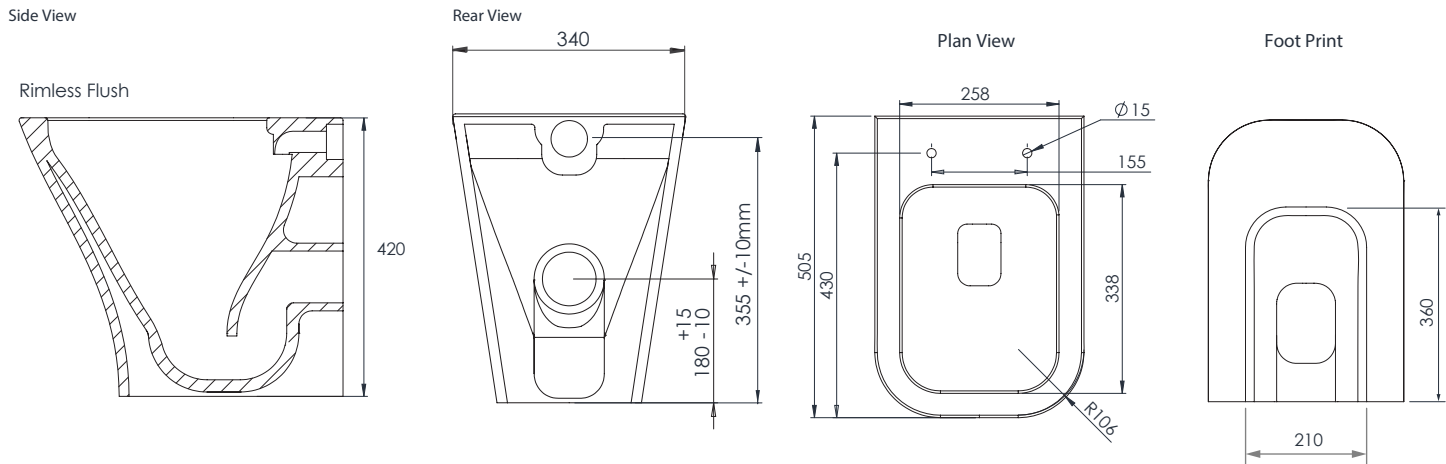


- 1. 2x Nylon Floor Bracket
- 2. 4x Stainless Steel Screws
- 3. 2x Nylon Screw Plugs
- 4. 2x Nylon Screw Collars
- 5. 2x Nylon Collars Caps (Metalic Finish)

Spare Code: SP14211

DIMENSIONS - PRODUCT CODE

DIAGRAMS NOT TO SCALE | ALL DIMENSIONS IN MM | TOLERANCE OF ± 5 MM
ALL PRODUCTS CONFORM TO THE BRITISH FIXING STANDARDS



*Dimensions are subject to change, customers are advised to measure actual product before commencing installation.

**Fixing point dimensions are for guidance only/the positions of wall fixing must be checked when product is received.

FAQs

Q - Are there any other compatible seats?

A - No

Q - Which concealed cistern do I use?

A - Torrent (TR9001) or Cascade (TR9002), depending on whether the water feed is bottom or side access. An In-Wall cistern (TR9009) is available for tiled-in installations.

Key Dimensions Descriptions	Key Dimensions (mm)
Front to Back Footprint	360mm
Left to Right Footprint	210mm
Bowl Front to Back	338mm
Bowl Left to Right	258mm
Pan Height	420mm
Pan Overall front to Back	505mm
Centre Flush Inlet to Floor	375mm
Centre Waste Outlet to Floor	180mm
Width of Void	180mm
Is there a Ceramic Brace Bar	No