

TECHNICAL DATA SHEET

Serenity SCT STD Depth Basin - DC14002

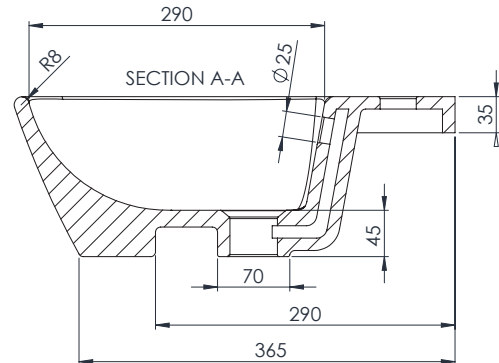
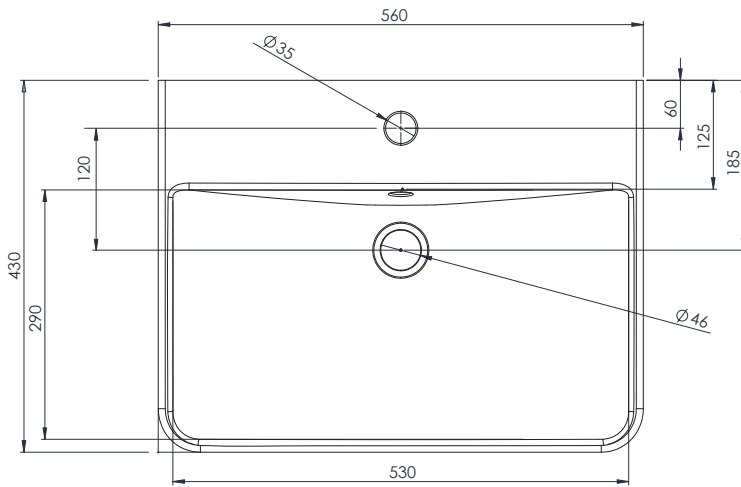
R2

NO.	Description	Product Code	Fixings included	Gross Weight	Net Weight
1	SCT STD Depth Basin	DC14002	N/A	17.25KG	N/A



DIMENSIONS - PRODUCT CODE

DIAGRAMS NOT TO SCALE | ALL DIMENSIONS IN MM | TOLERANCE OF ± 5 MM
ALL PRODUCTS CONFORM TO THE BRITISH FIXING STANDARDS



*Dimensions are subject to change, customers are advised to measure actual product before commencing installation.

**Fixing point dimensions are for guidance only/the positions of wall fixing must be checked when product is received.

FAQs

Q - Is a fitting template supplied?

A - Yes

Q - How is the basin fixed to the furniture?

A - Fix to workspace with silicone as per instructions supplied.

Key Dimensions Descriptions	Key Dimensions (mm)
Internal Depth	115mm
Internal Front to Back	290mm
Internal Left to Right	530mm
Tapledge	125mm
Taphole Centre to Waste Centre	120mm
Taphole Centre to Back of Basin	60mm
Waste Centre to Back of Basin	185mm
Height of Rear Basin	130mm
Basin Belly	N/A