

TECHNICAL DATA SHEET

Serenity Soft Close Wrap Over Seat - SNSCTS

R2

NO.	Description	Product Code	Fixings included	Gross Weight	Net Weight
1	Soft Close Wrap Over Seat	SNSCTS	YES	2.7KG	N/A

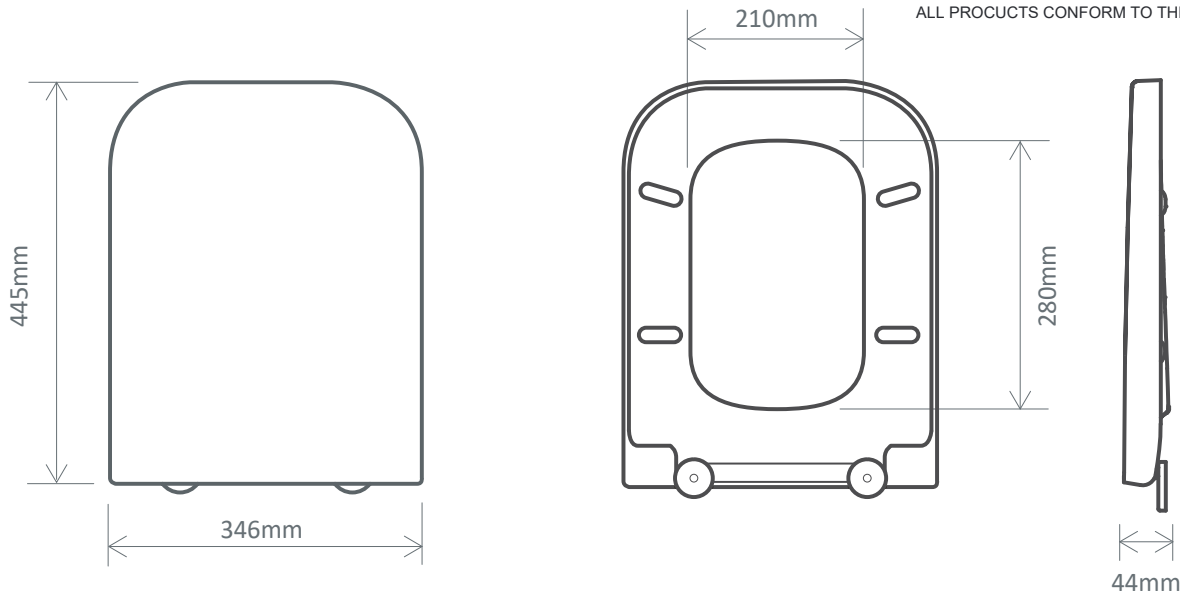


Spares Codes:

- C6602G Serenity Hinge Fixing Kit - SP17851
- Serenity SC Damper Replacement Set (Pair) - SP17854
- Serenity Wrap Over Seat Ring Buffer - SP17852
- Serenity Wrap Over Lid Buffer - SP17853

DIMENSIONS - PRODUCT CODE

DIAGRAMS NOT TO SCALE | ALL DIMENSIONS IN MM | TOLERANCE OF ± 5 MM
ALL PRODUCTS CONFORM TO THE BRITISH FIXING STANDARDS



*Dimensions are subject to change, customers are advised to measure actual product before commencing installation.

**Fixing point dimensions are for guidance only/the positions of wall fixing must be checked when product is received.

FAQs

Q - What's the maximum test load of the seat?

A - 150kg

Q - What are the fixings made from?

A - Stainless Steel Cover Plates/Screws, Nylon Anchor Plates, Rubber Washers, Rubber Fixing Plugs.

Key Dimensions Descriptions	Key Dimensions (mm)
Seat/Lid Front to Back	445mm
Seat/Lid Left to Right	345mm
Ring Hole Front to Back	280mm
Ring Hole Left to Right	210mm
Seat Overall Thickness	45mm
Width of Back of Seat	346mm
Min/Max Adjustment for Fixings	Fixed Position