

Technical Data Sheet

Serve Basin Mixer - TR1067



No.	Description	Code	Fixings Included
1	Serve Basin Mixer	TR1067	YES



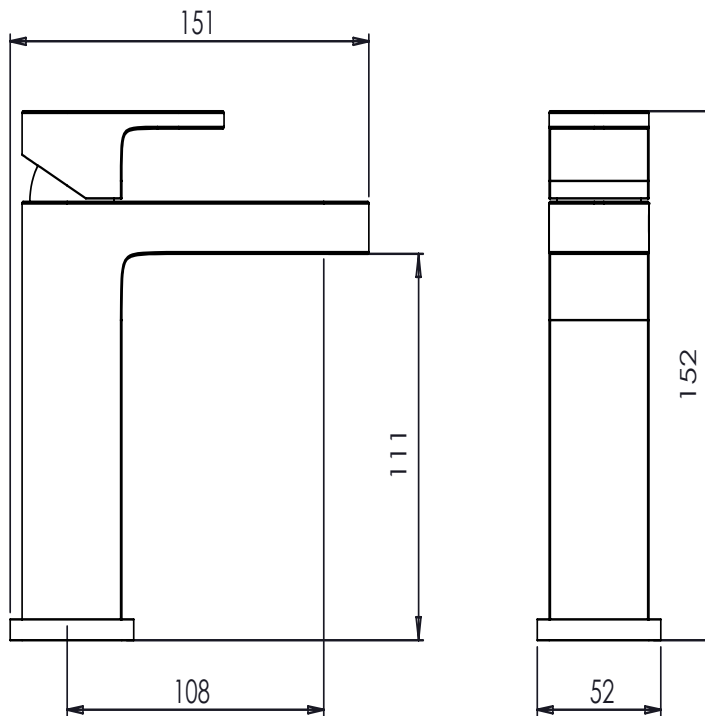
Chrome Plated

FLOW RATE DATA IS TESTED UNDER LABORATORY CONDITIONS: ACTUAL FLOW RATE MAY VARY DEPENDING ON DOMESTIC SUPPLY AND ACCESSORIES

Pressure:	Flow Rate:
0.2bar	4 litres / min
0.3bar	4.5 litres / min
0.4bar	5.2litres / min
0.5bar	6 litres / min
1bar	8.3 litres / min
2bar	11.9 litres / min

Dimensions - TR1067

Diagrams not to scale. All dimensions in mm (tolerance of +/-5mm)



*Dimensions are subject to change, customers are advised to measure product before commencing installation.

FAQs

What is the size of the tap tail connection? The tap tails have a standard 1/2" BSP fixing.

What bore is the tap tail? The tails have a 10mm internal bore.

What length are the tap tails? The tails are 300mm in length.

Does the tap come fitted with an aerator? Yes, the aerator comes pre-installed but can be replaced.

What is the recommended minimum pressure? 0.2 Bar

Technical Data Sheet

Serve Mini Basin Mixer - TR1068



No.	Description	Code	Fixings Included
1	Serve Mini Basin Mixer	TR1068	YES



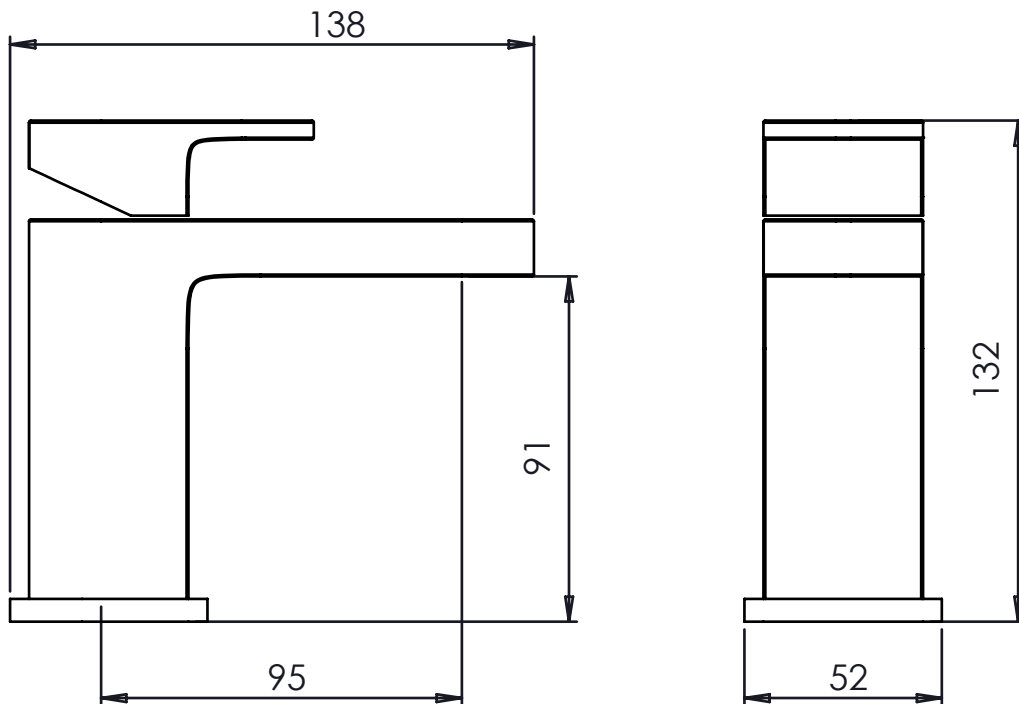
Chrome Plated

FLOW RATE DATA IS TESTED UNDER LABORATORY CONDITIONS: ACTUAL FLOW RATE MAY VARY DEPENDING ON DOMESTIC SUPPLY AND ACCESSORIES

Pressure:	Flow Rate:
0.2bar	4 litres / min
0.3bar	4.5 litres / min
0.4bar	5.2 litres / min
0.5bar	6 litres / min
1bar	8.3 litres / min
2bar	11.9 litres / min

Dimensions - TR1068

Diagrams not to scale. All dimensions in mm (tolerance of +/-5mm)



*Dimensions are subject to change, customers are advised to measure product before commencing installation.

FAQs

What is the size of the tap tail connection? The tap tails have a standard 1/2" BSP fixing.

What bore is the tap tail? The tails have a 10mm internal bore.

What length are the tap tails? The tails are 300mm in length.

Does the tap come fitted with an aerator? Yes, the aerator comes pre-installed but can be replaced.

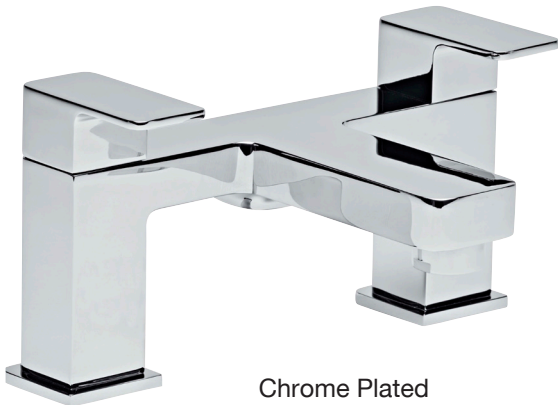
What is the recommended minimum pressure? 0.2 Bar

Technical Data Sheet

Serve Bath Filler - TR1069



No.	Description	Code	Fixings Included
1	Serve Bath Filler	TR1069	YES



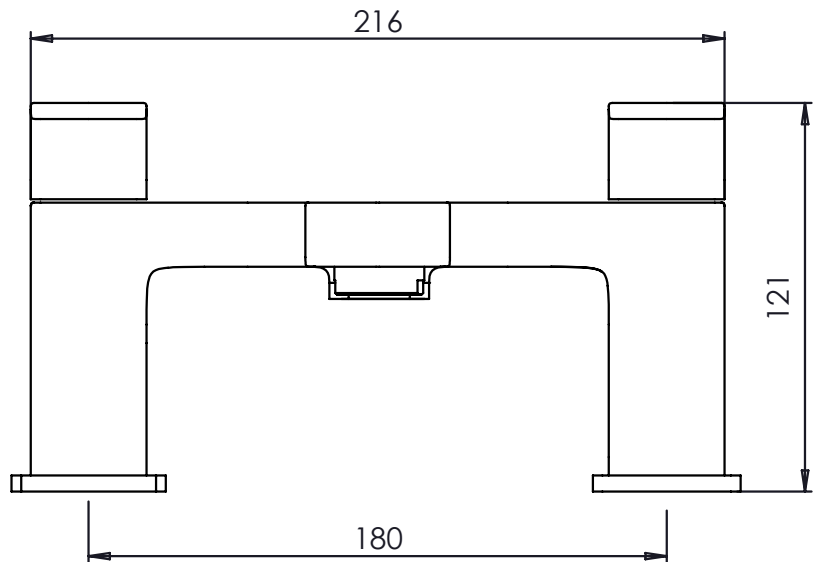
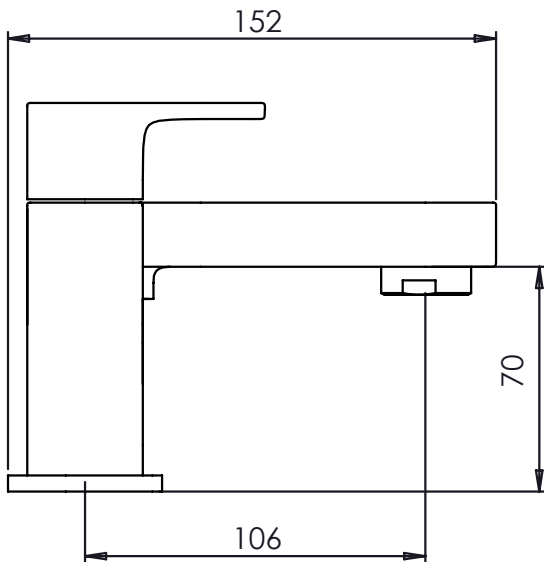
Chrome Plated

FLOW RATE DATA IS TESTED UNDER LABORATORY CONDITIONS: ACTUAL FLOW RATE MAY VARY DEPENDING ON DOMESTIC SUPPLY AND ACCESSORIES

Pressure:	Flow Rate:
0.2bar	14 litres / min
0.3bar	16.8 litres / min
0.4bar	18.6 litres / min
0.5bar	20.9 litres / min
1bar	29.6 litres / min
2bar	41.6 litres / min

Dimensions - TR1069

Diagrams not to scale. All dimensions in mm (tolerance of +/-5mm)



*Dimensions are subject to change, customers are advised to measure product before commencing installation.

FAQs

Does the tap come fitted with an aerator? Yes, the aerator comes pre-installed but can be replaced.

What size plumbing fittings are needed for the threaded legs? This product will work with standard 3/4" plumbing fittings.

What is the recommended minimum pressure? 0.2 Bar

Technical Data Sheet

Serve Bath Shower Mixer - TR1079



No.	Description	Code	Fixings Included
1	Serve Bath Shower Mixer	TR1079	YES



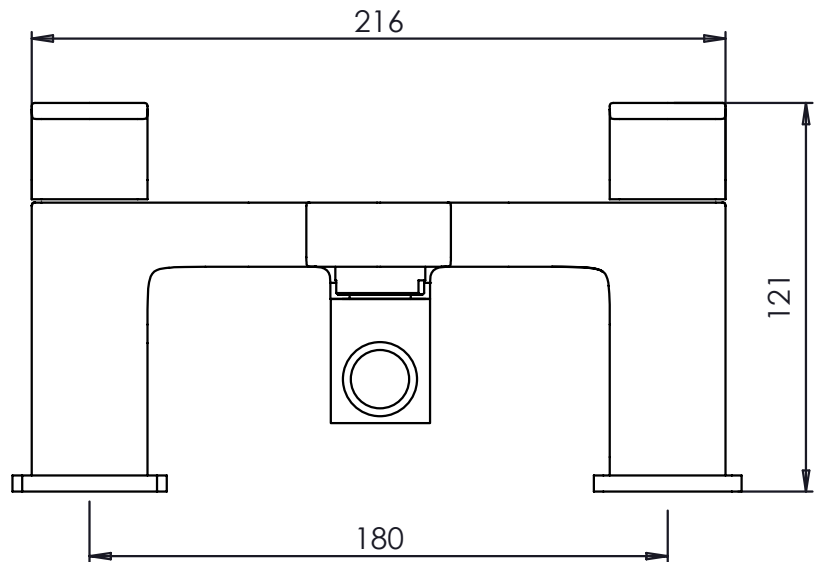
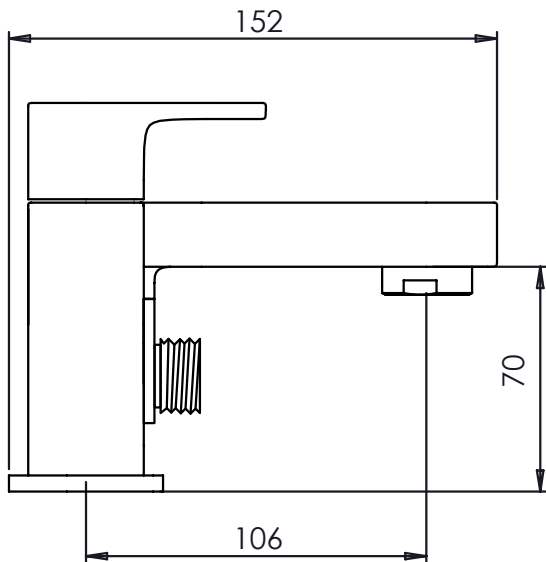
Chrome Plated

FLOW RATE DATA IS TESTED UNDER LABORATORY CONDITIONS: ACTUAL FLOW RATE MAY VARY DEPENDING ON DOMESTIC SUPPLY AND ACCESSORIES

Pressure:	Flow Rate:
0.2bar	14 litres / min
0.3bar	16.8 litres / min
0.4bar	18.6 litres / min
0.5bar	20.9 litres / min
1bar	29.6 litres / min
2bar	41.6 litres / min

Dimensions - TR1079

Diagrams not to scale. All dimensions in mm (tolerance of +/-5mm)



*Dimensions are subject to change, customers are advised to measure product before commencing installation.

FAQs

Does the tap come fitted with an aerator? Yes, the aerator comes pre-installed but can be replaced.

What size plumbing fittings are needed for the threaded legs? This product will work with standard 3/4" plumbing fittings.

What size are the connections for the shower hose? The threaded connections on the shower hose are a standard 1/2" BSP connection.

What is the recommended minimum pressure? 0.2 Bar

Technical Data Sheet

Serve Black Basin Mixer - TR1075



No.	Description	Code	Fixings Included
1	Serve Basin Mixer	TR1075	YES



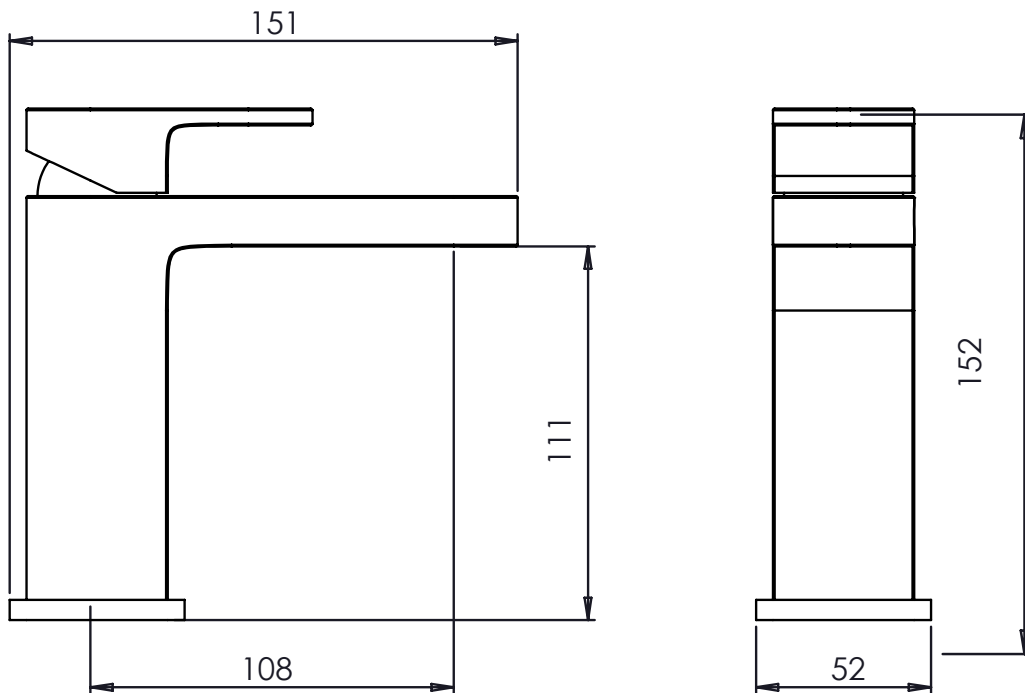
Black PVD
(physical vapour deposition)

FLOW RATE DATA IS TESTED UNDER LABORATORY CONDITIONS: ACTUAL FLOW RATE MAY VARY DEPENDING ON DOMESTIC SUPPLY AND ACCESSORIES

Pressure:	Flow Rate:
0.2bar	4 litres / min
0.3bar	4.5 litres / min
0.4bar	5.2litres / min
0.5bar	6 litres / min
1bar	8.3 litres / min
2bar	11.9 litres / min

Dimensions - TR1075

Diagrams not to scale. All dimensions in mm (tolerance of +/-5mm)



*Dimensions are subject to change, customers are advised to measure product before commencing installation.

FAQs

What is the size of the tap tail connection? The tap tails have a standard 1/2" BSP fixing.

What bore is the tap tail? The tails have a 10mm internal bore.

What length are the tap tails? The tails are 300mm in length.

Does the tap come fitted with an aerator? Yes, the aerator comes pre-installed but can be replaced.

What is the recommended minimum pressure? 0.2 Bar

Technical Data Sheet

Serve Black Mini Basin Mixer - TR1076



No.	Description	Code	Fixings Included
1	Serve Black Mini Basin Mixer	TR1076	YES



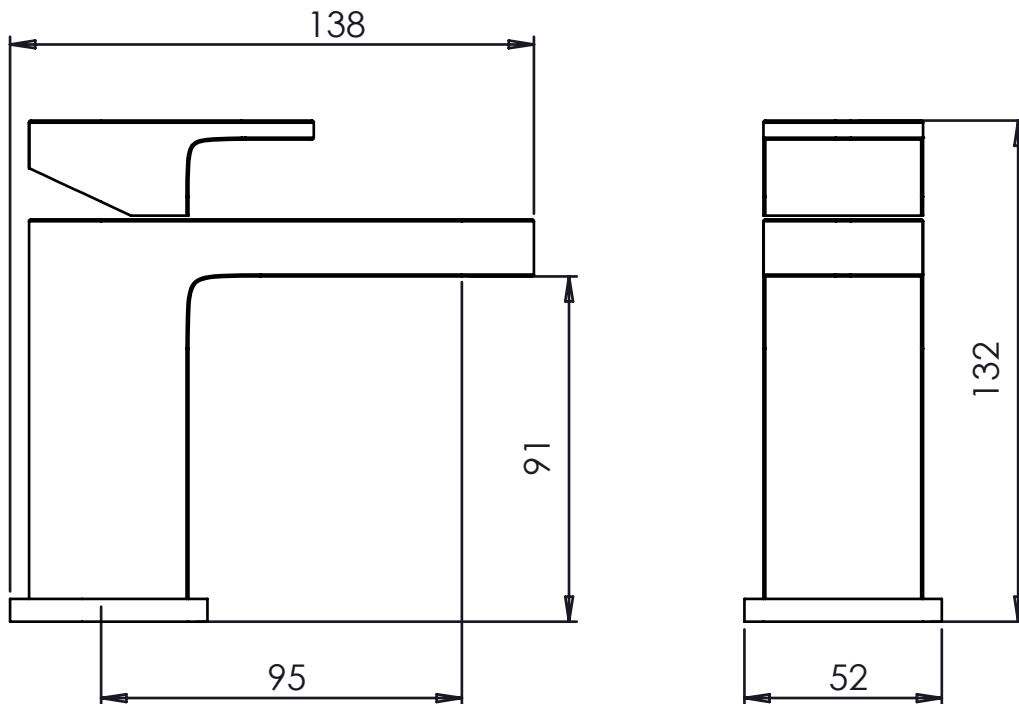
Black PVD
(physical vapour deposition)

FLOW RATE DATA IS TESTED UNDER LABORATORY CONDITIONS: ACTUAL FLOW RATE MAY VARY DEPENDING ON DOMESTIC SUPPLY AND ACCESSORIES

Pressure:	Flow Rate:
0.2bar	4 litres / min
0.3bar	4.5 litres / min
0.4bar	5.2litres / min
0.5bar	6 litres / min
1bar	8.3 litres / min
2bar	11.9 litres / min

Dimensions - TR1076

Diagrams not to scale. All dimensions in mm (tolerance of +/-5mm)



*Dimensions are subject to change, customers are advised to measure product before commencing installation.

FAQs

What is the size of the tap tail connection? The tap tails have a standard 1/2" BSP fixing.

What bore is the tap tail? The tails have a 10mm internal bore.

What length are the tap tails? The tails are 300mm in length.

Does the tap come fitted with an aerator? Yes, the aerator comes pre-installed but can be replaced.

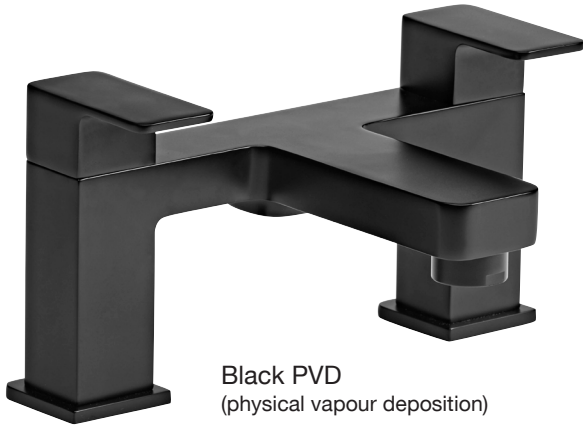
What is the recommended minimum pressure? 0.2 Bar

Technical Data Sheet

Serve Black Bath Filler - TR1077



No.	Description	Code	Fixings Included
1	Serve Black Bath Filler	TR1077	YES



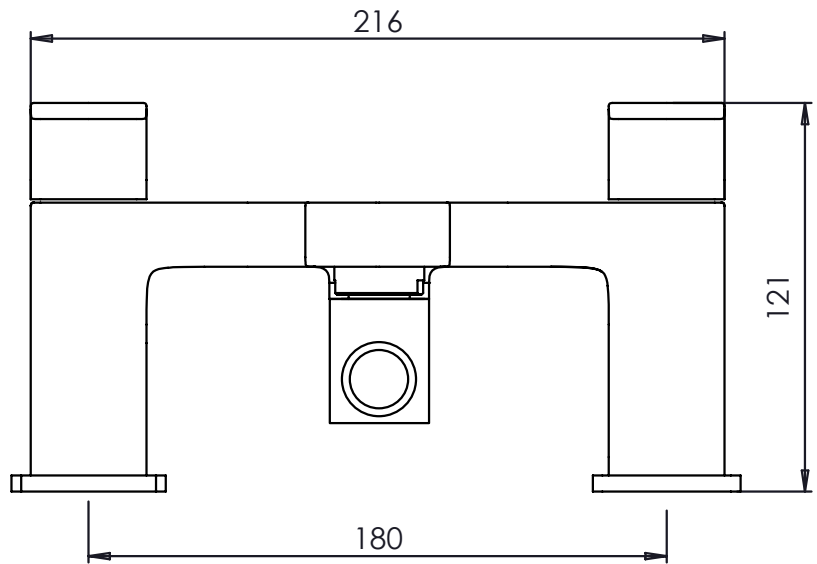
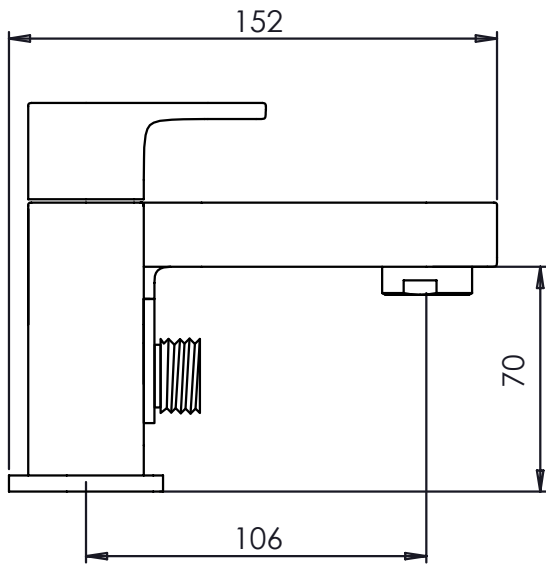
Black PVD
(physical vapour deposition)

FLOW RATE DATA IS TESTED UNDER LABORATORY CONDITIONS: ACTUAL FLOW RATE MAY VARY DEPENDING ON DOMESTIC SUPPLY AND ACCESSORIES

Pressure:	Flow Rate:
0.2bar	14 litres / min
0.3bar	16.8 litres / min
0.4bar	18.6 litres / min
0.5bar	20.9 litres / min
1bar	29.6 litres / min
2bar	41.6 litres / min

Dimensions - TR1077

Diagrams not to scale. All dimensions in mm (tolerance of +/-5mm)



*Dimensions are subject to change, customers are advised to measure product before commencing installation.

FAQs

Does the tap come fitted with an aerator? Yes, the aerator comes pre-installed but can be replaced.

What size plumbing fittings are needed for the threaded legs? This product will work with standard 3/4" plumbing fittings.

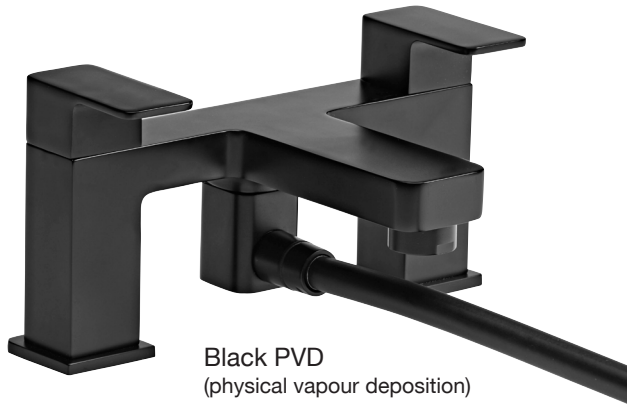
What is the recommended minimum pressure? 0.2 Bar

Technical Data Sheet

Serve Black Bath Shower Mixer - TR1083



No.	Description	Code	Fixings Included
1	Serve Black Bath Shower Mixer	TR1083	YES

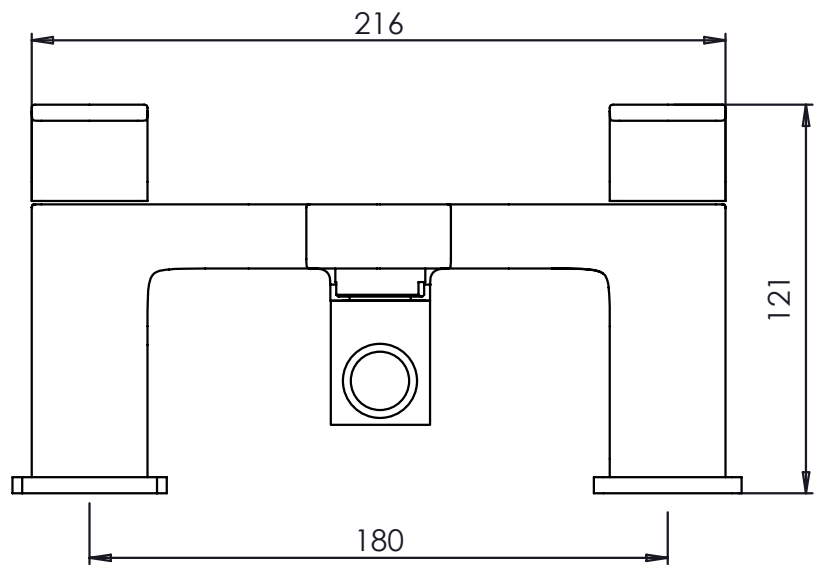
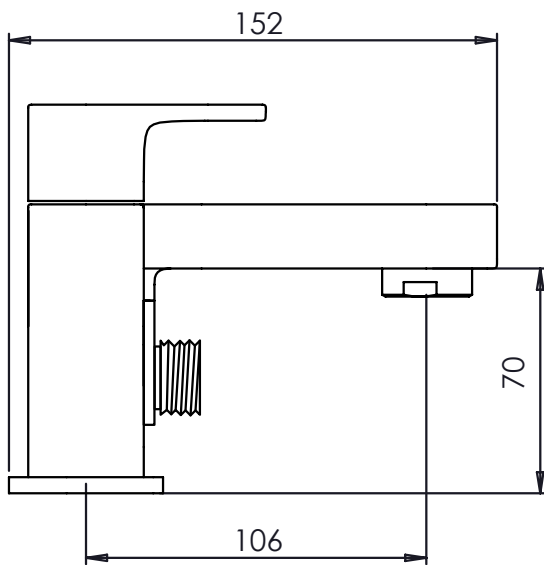


FLOW RATE DATA IS TESTED UNDER LABORATORY CONDITIONS: ACTUAL FLOW RATE MAY VARY DEPENDING ON DOMESTIC SUPPLY AND ACCESSORIES

Pressure:	Flow Rate:
0.2bar	14 litres / min
0.3bar	16.8 litres / min
0.4bar	18.6 litres / min
0.5bar	20.9 litres / min
1bar	29.6 litres / min
2bar	41.6 litres / min

Dimensions - TR1083

Diagrams not to scale. All dimensions in mm (tolerance of +/-5mm)



*Dimensions are subject to change, customers are advised to measure product before commencing installation.

FAQs

Does the tap come fitted with an aerator? Yes, the aerator comes pre-installed but can be replaced.

What size plumbing fittings are needed for the threaded legs? This product will work with standard 3/4" plumbing fittings.

What size are the connections for the shower hose? The threaded connections on the shower hose are a standard 1/2" BSP connection.

What is the recommended minimum pressure? 0.2 Bar