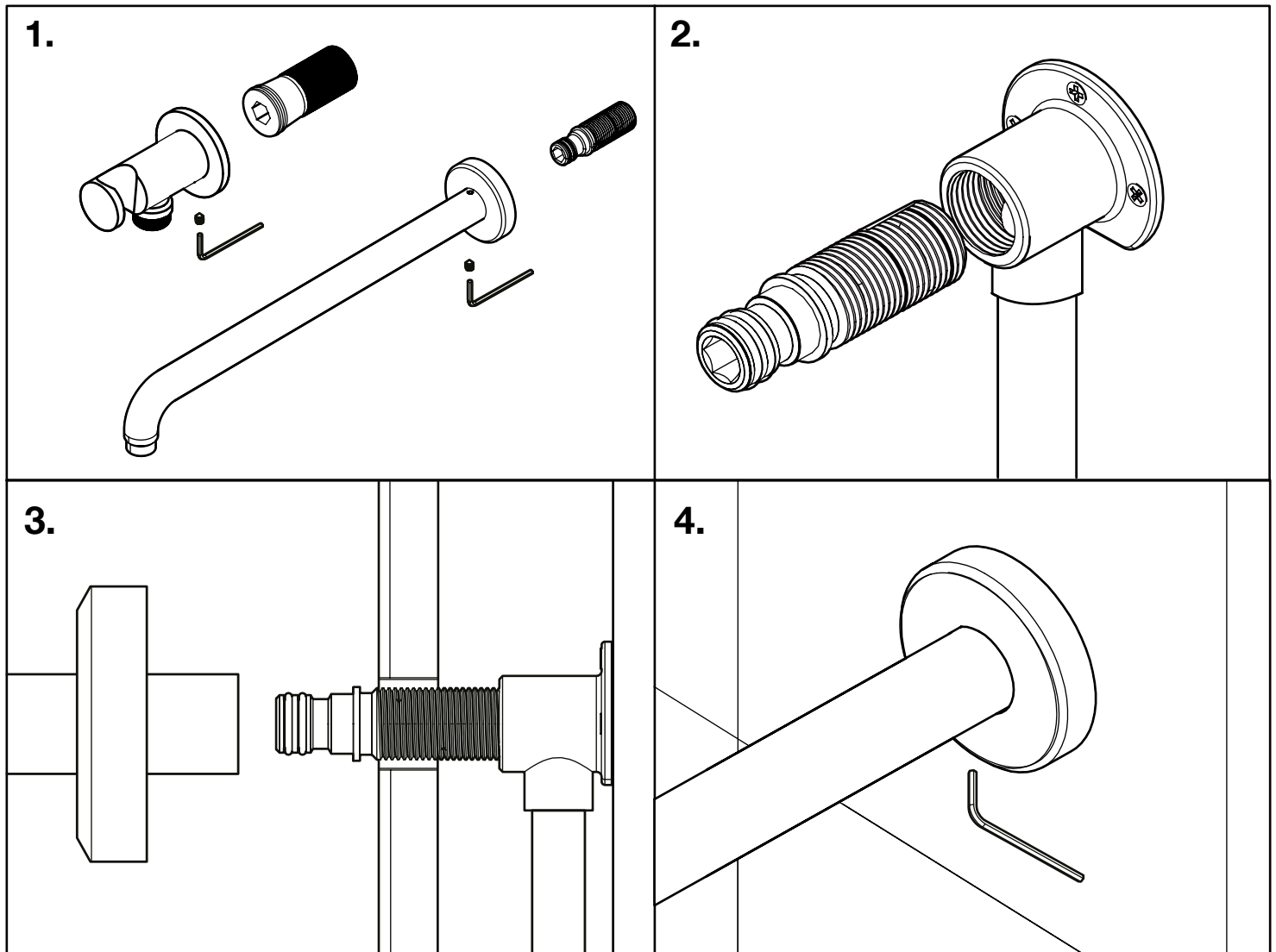


Shower Accessories - Outlet Elbows and Shower Arms

Installation Instructions

This guide covers the installation of shower accessories with removable 1/2" BSP threaded connectors. Accessories shown are for illustrative purposes only, but installation methods will be similar. Please retain this instruction document for future reference.



NOTE: Prior to installation ensure the water supply is turned off.

It is important to ensure that the thickness of the wall, plasterboard and any tiles are taken into account when determining the threaded wall plate elbow location to ensure there is enough room for the threaded connector of the product to be tightened into the wall plate elbow properly.

1. Offer the accessory up against the tile and plasterboard to determine the depth of the plumbing fitting and work backwards to ensure enough thread is available to tighten and seal. Using an allen key, the threaded connector can be removed from the shower accessory.

2. Connect fixing thread to plumbing fitting. Diagram shows the use of a 1/2" BSP threaded female plumbing elbow (not supplied). PTFE tape can be used to create a watertight seal.

3. With the threaded connector secured into the pipework, assemble the elbow onto the connector ensuring the o-rings form a seal inside the body and the accessory is flush against the finish wall surface.

4. Secure in place with the grub screw fixing supplied. If the accessory has a coverplate, a small bead of silicone sealant can seal this to the wall.