

TECHNICAL DATA SHEET

Sky 550 Basin - DC14054

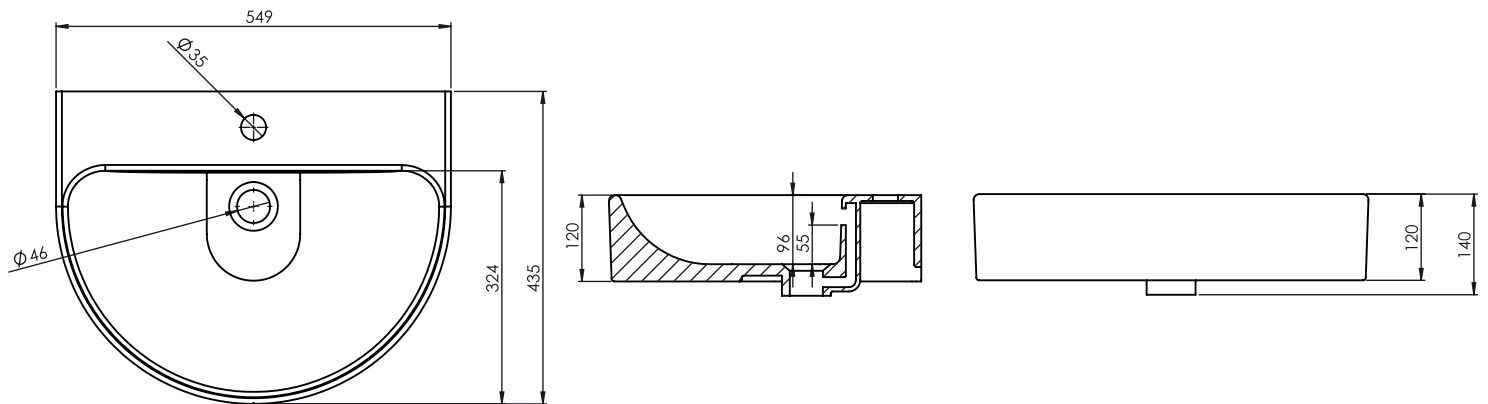
R2

NO.	Description	Product Code	Fixings included	Gross Weight
1	Sky Round 550 Basin	DC14054	NO	16KG



DIMENSIONS

DIAGRAMS NOT TO SCALE | ALL DIMENSIONS IN MM TOLERANCE OF ± 5MM
ALL PRODUCTS CONFORM TO BRITISH STANDARDS



*Dimensions are subject to change, customers are advised to measure actual product before commencing installation.
**Fixing point dimensions are for guidance only. The positions of fixings must be checked when product is received.

FAQs

Q - What is the maximum water depth of the basin?
A - 55mm up to the overflow.

Q - Can this basin be wall hung?
A - Yes.

Q - Can this basin be mounted using a semi-pedestal?
A - Yes, use code DC14057.

Q - How thick is the basin edge/rim?
A - 8mm

Q - Does the basin have an integral overflow?
A - Yes

Key Dimensions Descriptions	Key Dimensions (mm)
Internal Bowl Depth	96mm
Internal Bowl Front to Back	324mm
Internal Bowl Left to Right	530mm
Tap Ledge	110mm
Taphole Centre to Waste Centre	100mm
Taphole Centre to Back of Basin	60mm
Waste Centre to Back of Basin	160mm
Width of Rear Basin	549mm
Basin Depth	140mm