

TECHNICAL DATA SHEET

Slate Grey Painted SC Toilet Seat - DC4007

ROPER RHODES®

NO.	Description	Product Code	Fixings included	Gross Weight	Net Weight
1	Slate Grey Painted SC Toilet Seat	DC4007	YES	3.65kg	--



Spares Codes:

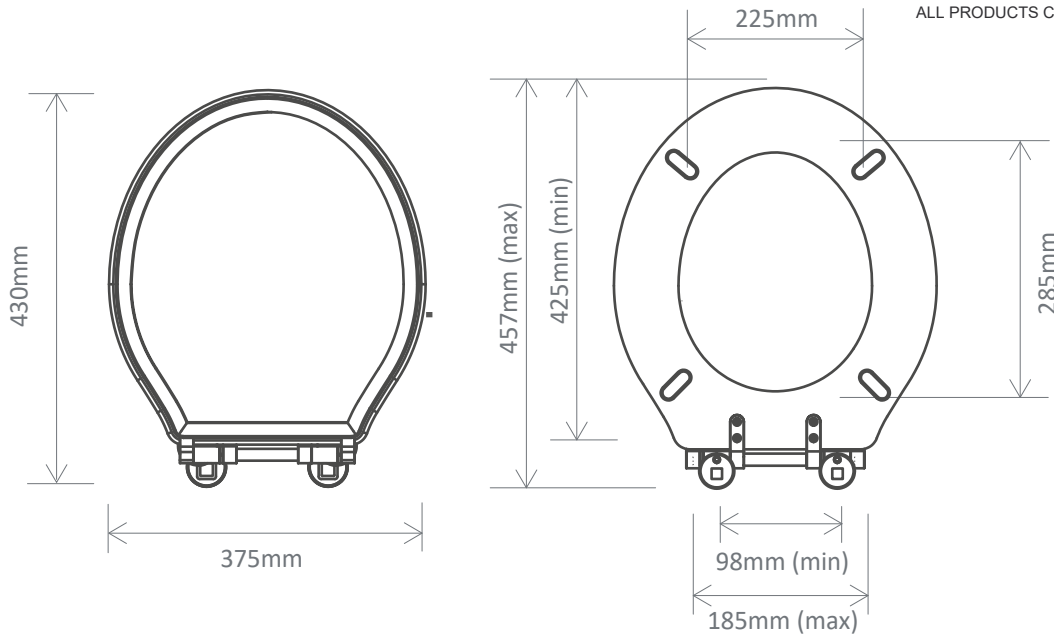
Bar Hinge Assembly for Painted Seats - **SP14199**

Soft Close Toilet Seat Bar Hinge
Fixing Pack - **SP14200**

Spare O-Ring Base Seal (x1) - **SP17378**

DIMENSIONS - DC4007

DIAGRAMS NOT TO SCALE | ALL DIMENSIONS IN MM | TOLERANCE OF ± 5MM
ALL PRODUCTS CONFORM TO THE BRITISH FIXING STANDARDS



*Dimensions are subject to change, customers are advised to measure actual product before commencing installation.

**Fixing point dimensions are for guidance only/the positions of wall fixing must be checked when product is received.

FAQs

Q - What's the maximum test load of the seat?

A - 150kg

Q - What are the fixings made from?

A - See fixing details

Key Dimensions Descriptions	Key Dimensions (mm)
Seat/Lid Front to Back	430mm
Seat/Lid Left to Right	375mm
Ring Hole Front to Back	285mm
Ring Hole Left to Right	225mm
Seat Overall Thickness	57mm
Width of Back of Seat	Input Dimension
Min/Max Adjustment for Fixings	98/185, 425/457