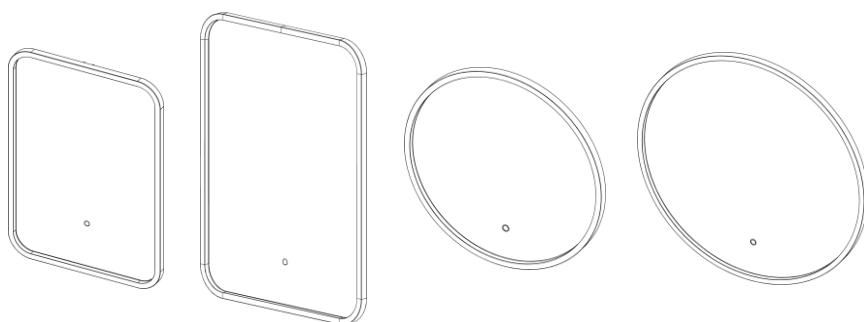


Technical Data Sheet

STEALTH



Box Contents:

Stealth Mirror | 2x wall plugs | 2x screws | Instruction's booklet

Materials

Frame Material: Extruded Aluminium

Glass: 5mm PVC Backed

FAQ's:	Units	SLM050-BL/BL / SLM050-BR/W	SLM060-BL/BL / SLM060-BR/W	SLM60C-BL/BL / SLM60C-BR/W	SLM80C-BL/BL / SLM80C-BR/W
Can the mirror be hung landscape?	-	Yes	Yes	No	No
What is the thickness of the mirror glass?	mm	5			
Is the mirror IP44 rated?	-	Yes – Suitable for use in bathroom zone 2			
What size fuse should I use?	-	Seek the advice of an electrician			
What is the total power consumption?	W	45.4/39.7	56.4/49.8	37.4/32.7	54.3/48
Does the mirror have an energy rating?	-	Yes – It has an energy rating of: F			
What is the colour of the light and the Kelvin rating?	K	4000			
What is the Lumen of the lights?*	Lms	8736/7008	10272/8256	7296/5856	9696/7776
What is the wattage of the lights?	W	31.9/26.2	37.5/30.9	26.6/21.9	35.4/29.1
Where is the control sensor located?	-	Front Centre Bottom			
Can the LED lighting be replaced?	-	No			
Can the control sensor be replaced?	-	Yes			
What is the output of the demister pad?	W	10.8	18.9	10.8	18.9
What are the dimensions of the demister pad? (L x W)	mm	200 x 300	300 x 350	200 x 300	300 x 350
How do I turn on the demister pad?	-	The demister pad will turn on when the LEDs are turned on.			
Are illuminated mirrors supplied with mains cable?	-	All illuminated mirrors are supplied with a removeable 500mm mains cable. There is ample storage for excess cable in the back of the unit.			

5 Year Guarantee

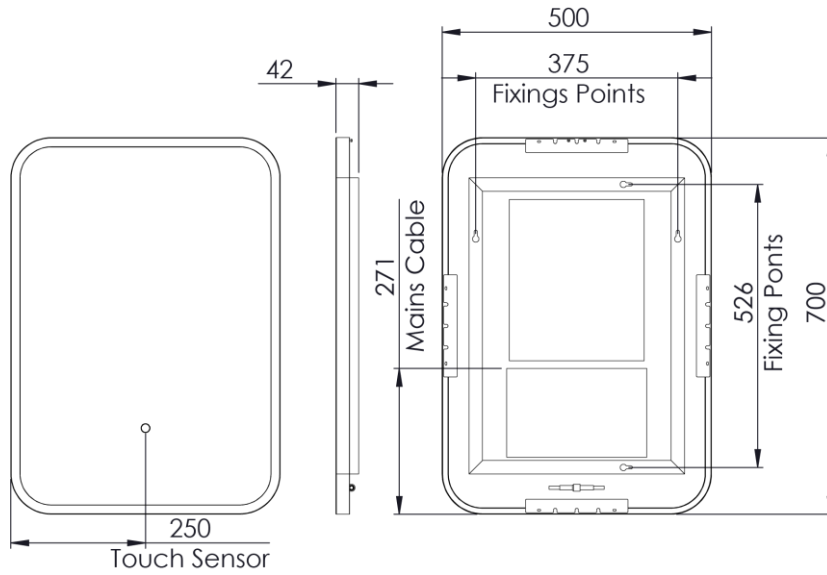
We have complete confidence in this R2 bathroom Mirror and as such it is offered with a 5-year guarantee against defects in manufacture. The electronics are covered by our 2-year guarantee. In the unlikely event that this product should fail during the guarantee period we will either replace the faulty part or the complete unit as appropriate.

Dimensions are subject to change; customers are advised to measure actual product before commencing installation.

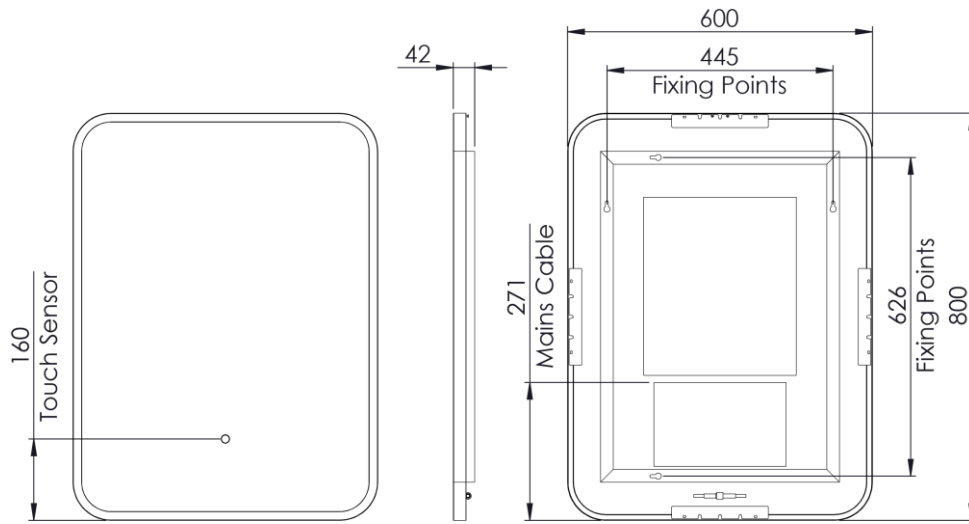
Fixing point dimensions are for guidance only/the positions of wall fixing must be checked when product is received.

***The Lumen represents the output of the LED. This may vary depending on the diffuser material i.e., glass or acrylic.**

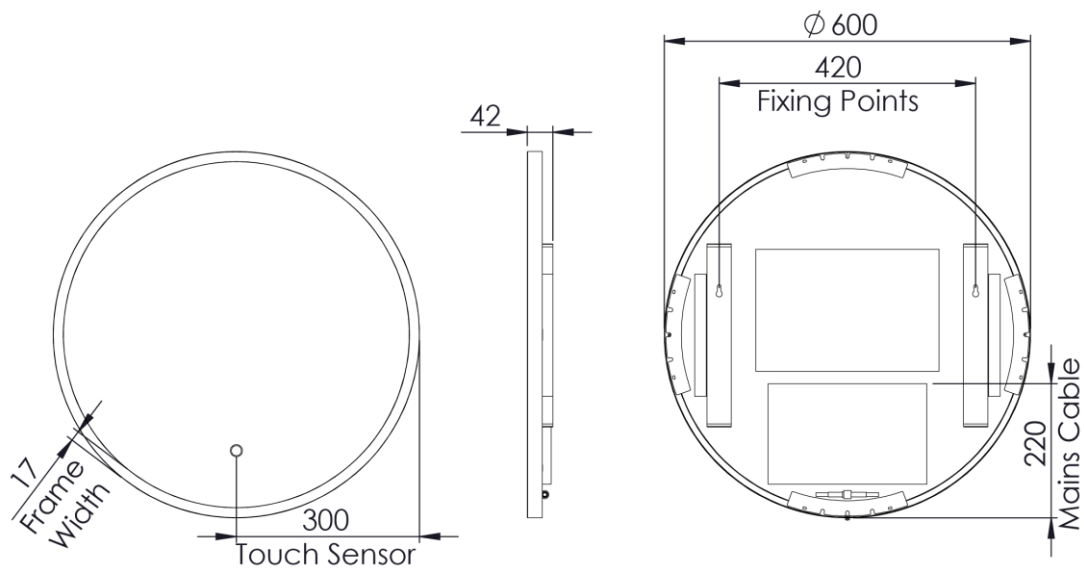
SLM050-XX



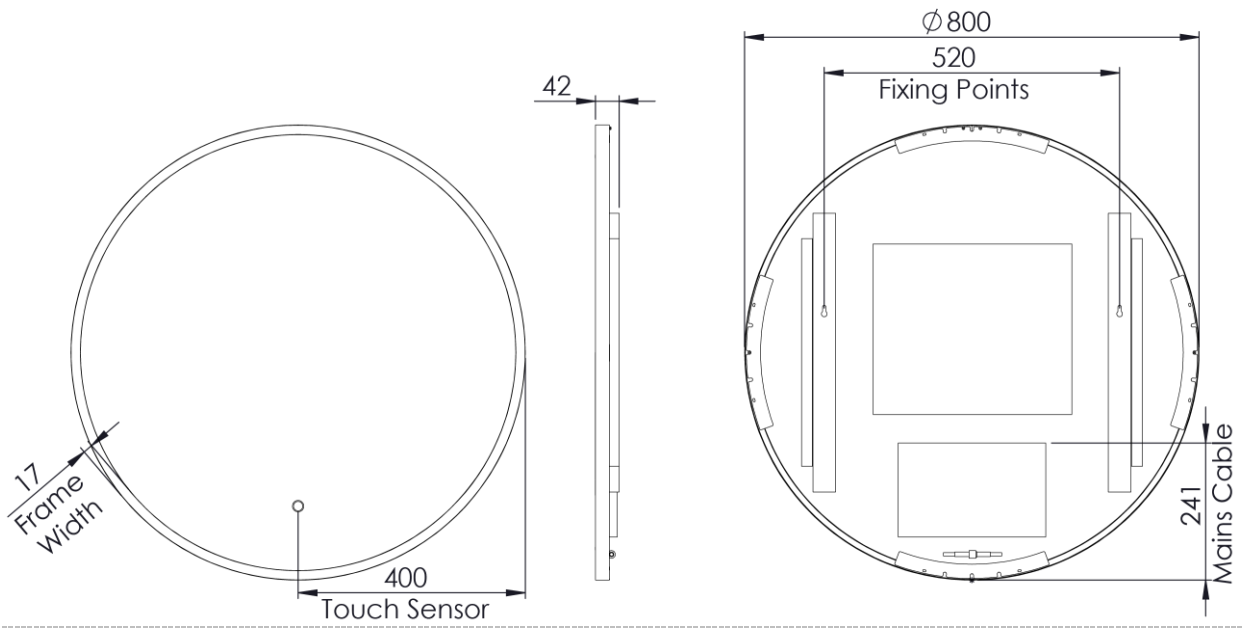
SLM060-XX



SLM60C-XX



SLM80C-XX



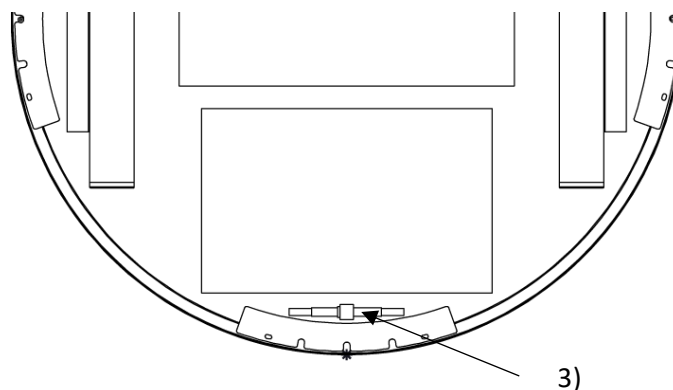
Instructions:

Changing the Frame

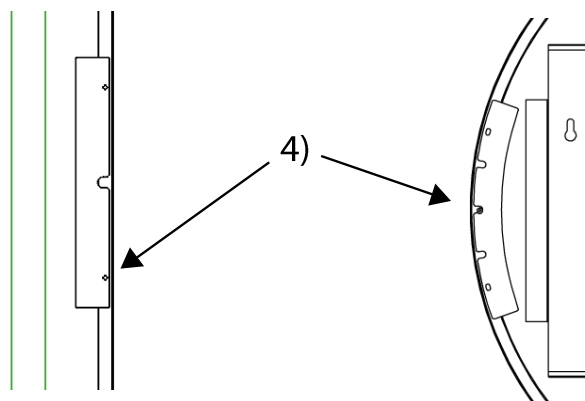
Important: Product must be turn off and isolated from the power supply before performing maintenance.

Important: Do not use a drill to undo the screws as it could damage them. Use a handheld Phillips screwdriver

- 1) Remove the mirror from the wall and disconnect the power supply.
- 2) Place the mirror on a protective surface with the mirror side down.
- 3) Disconnect the LEDs from the power connector.



- 4) Remove the screws on the metal brackets that connect the frame to the brackets.



- 5) Remove the mirror, brackets and electronics box from the frame (they should all be bonded together).
- 6) Place the mirror into the new frame and connect the LEDs to the power connector.
- 7) Screw the frame to the brackets.
- 8) Connect the mirror to the mains power supply and hang it on the wall.