

Technical Data Sheet

ROPER RHODES®

STORM NOVA Deck Mounted Bath Filler - T463202

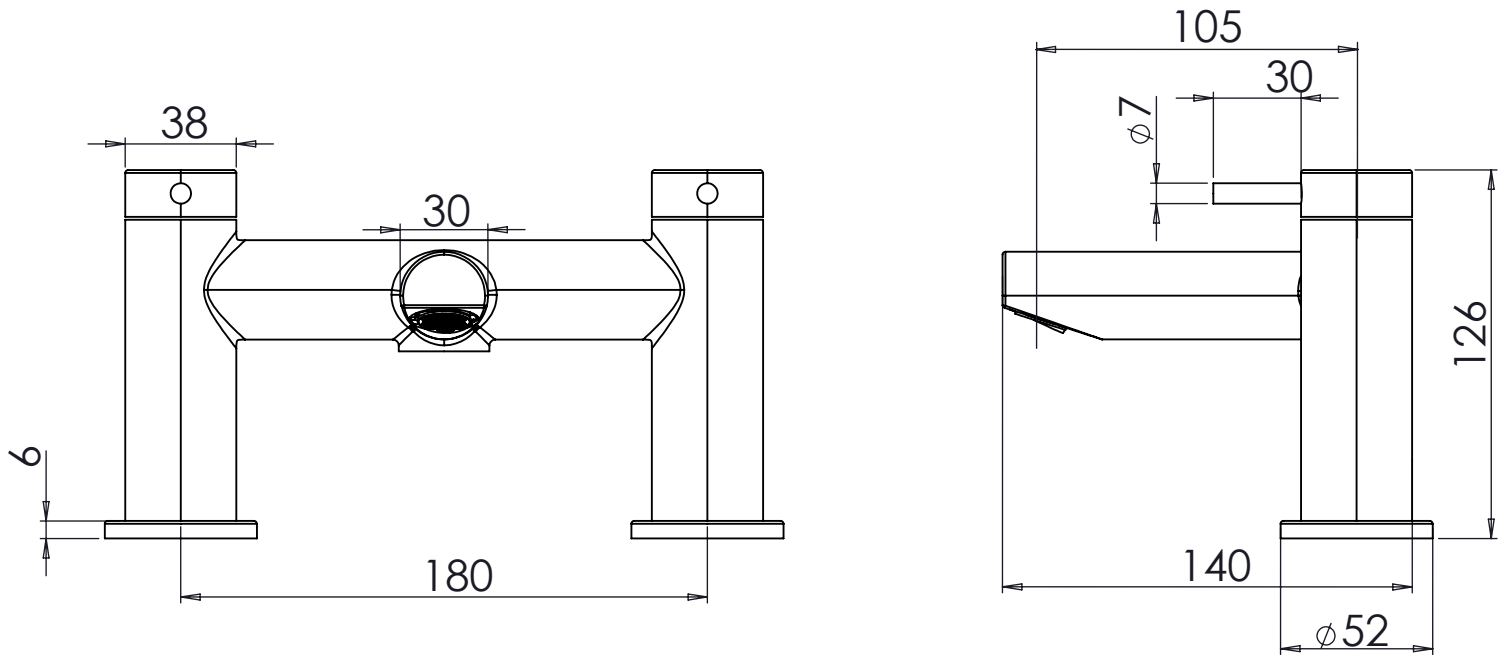
No.	Description	Code	Fixings Included
1	STORM NOVA Deck Mounted Bath Filler	T463202	YES



Min Pressure:	0.2bar
0.2bar	7.5 litres / min
0.3bar	10 litres / min
0.4bar	11.5 litres / min
0.5bar	13 litres / min
1bar	18.5 litres / min
2bar	26.5 litres / min

Dimensions:

Diagrams not to scale. All dimensions in mm (tolerance of +/-5mm)



*Dimensions are subject to change, customers are advised to measure actual product before commencing installation.

FAQs

What is the size of the bath filler threaded connection? The threaded connectors have a standard 3/4" BSP fixing.

Does the product come fitted with an aerator? Yes, the aerator comes pre-installed but can be replaced.

What is the minimum recommended operating pressure of the tap? 0.2 bar